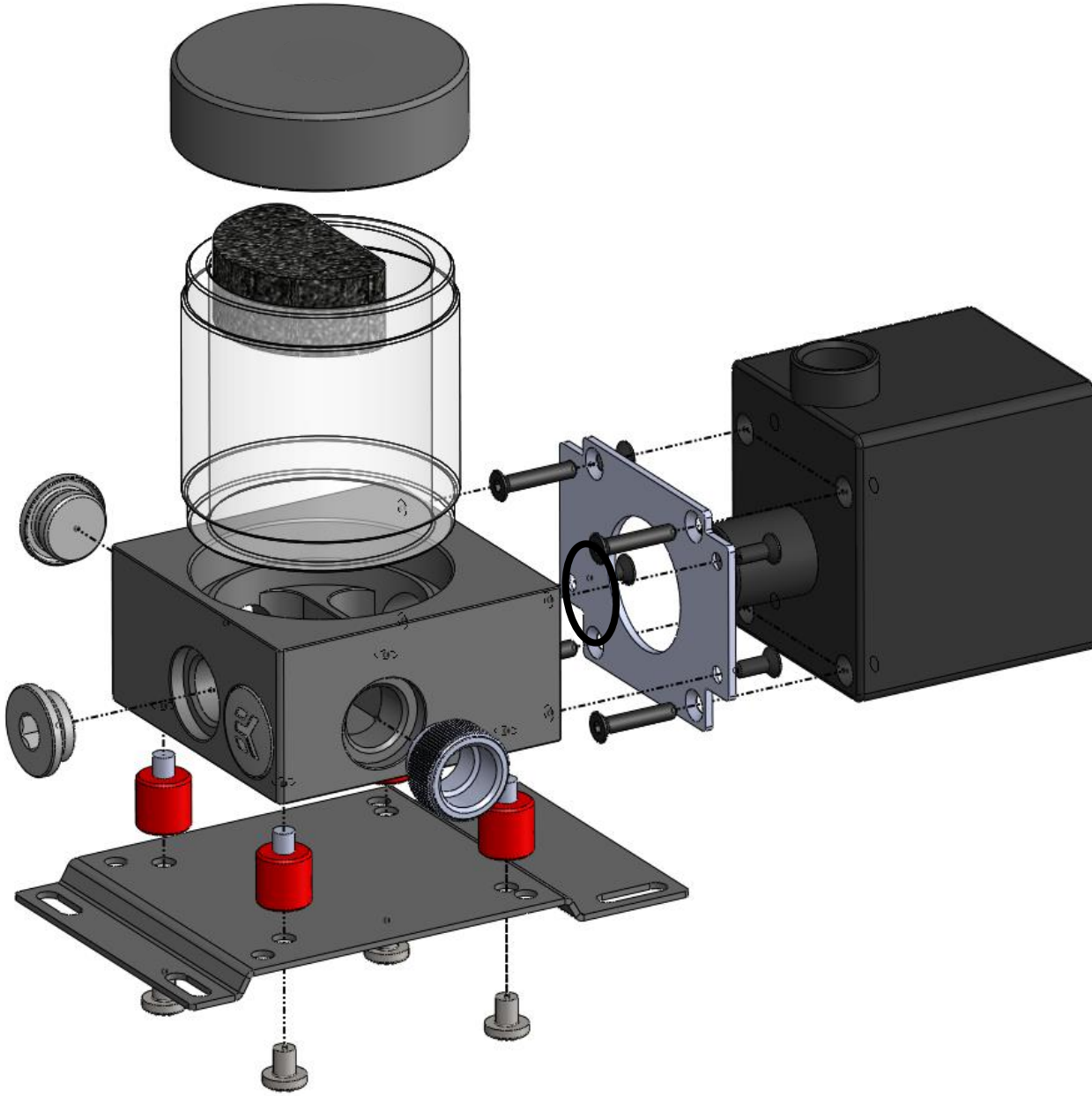


This product is intended for installation only by expert users. Please consult with a qualified technician for installation. Improper installation may result in damage to your equipment. EK Water Blocks assumes no liability whatsoever, expressed or implied, for the use of these products, nor their installation. The following instructions are subject to change without notice. Please visit our web site at [www.ekwb.com](http://www.ekwb.com) for updates. Before installation of this product please read important notice, disclosure and warranty conditions printed on the back of the box.

Before you start using this product please follow these basic guidelines:

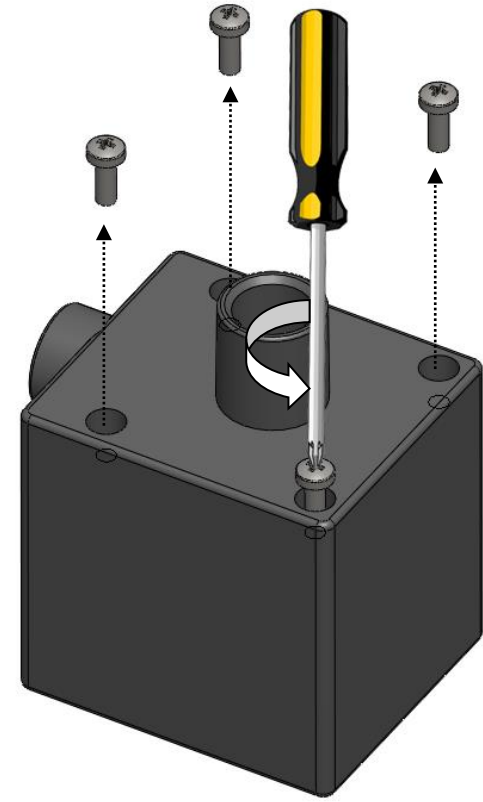
1. **Please carefully read the manual before through before beginning with the installation process!**
2. **The EK High Flow and EK-PSC or EK-CSQ type fittings require only a small amount of force to screw them firmly in place since the liquid seal is ensured by the rubber o-ring gaskets.**
3. **The use of quality, market proved corrosion inhibiting coolants is strongly recommended for any liquid cooling system.**

## GENERAL INFORMATION. Sample picture of exploded EK-XRES DCP 2.2



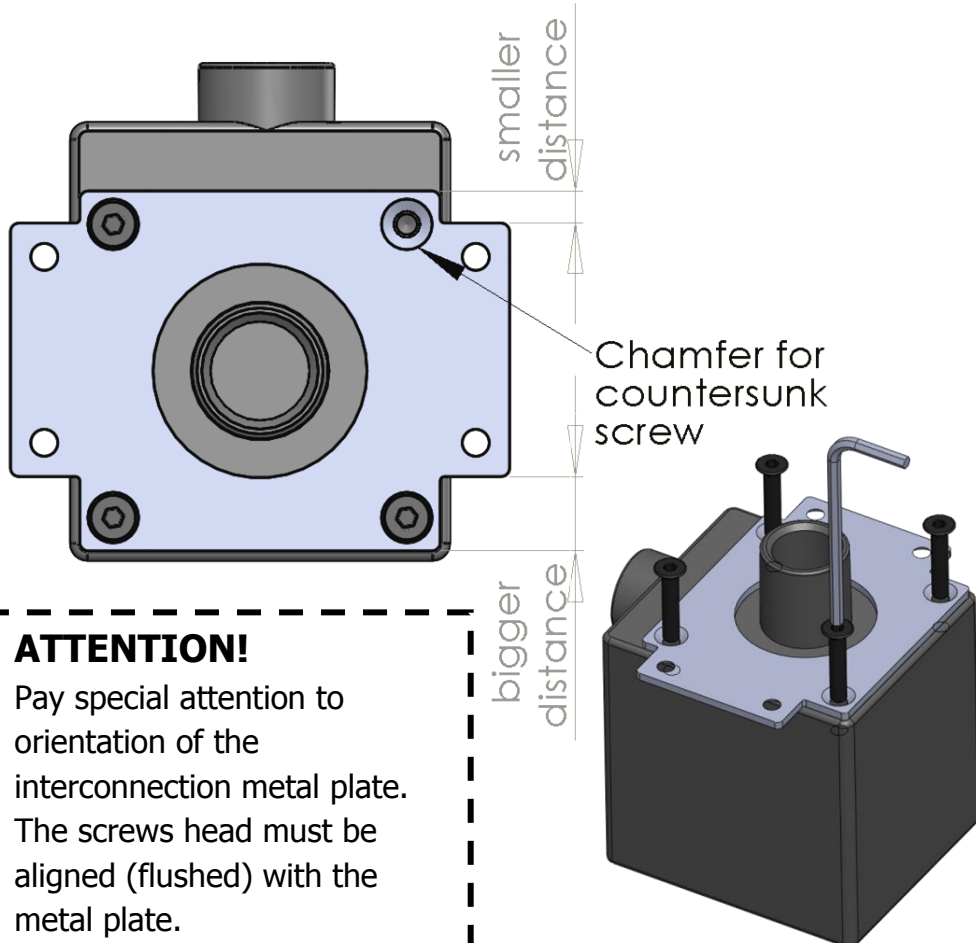
## STEP 1: PREPARING THE PUMP

Unscrew original M3 screws with Philips head screwdriver and store them in a safe place. These screws will not be needed any more.



## STEP 2: PREPARING THE PUMP CONTINUED

Use four enclosed M3x16 DIN 7991 countersunk screws and attach interconnection metal plate to the pump with enclosed Allen key 2mm.



**ATTENTION!**  
 Pay special attention to orientation of the interconnection metal plate. The screws head must be aligned (flushed) with the metal plate.

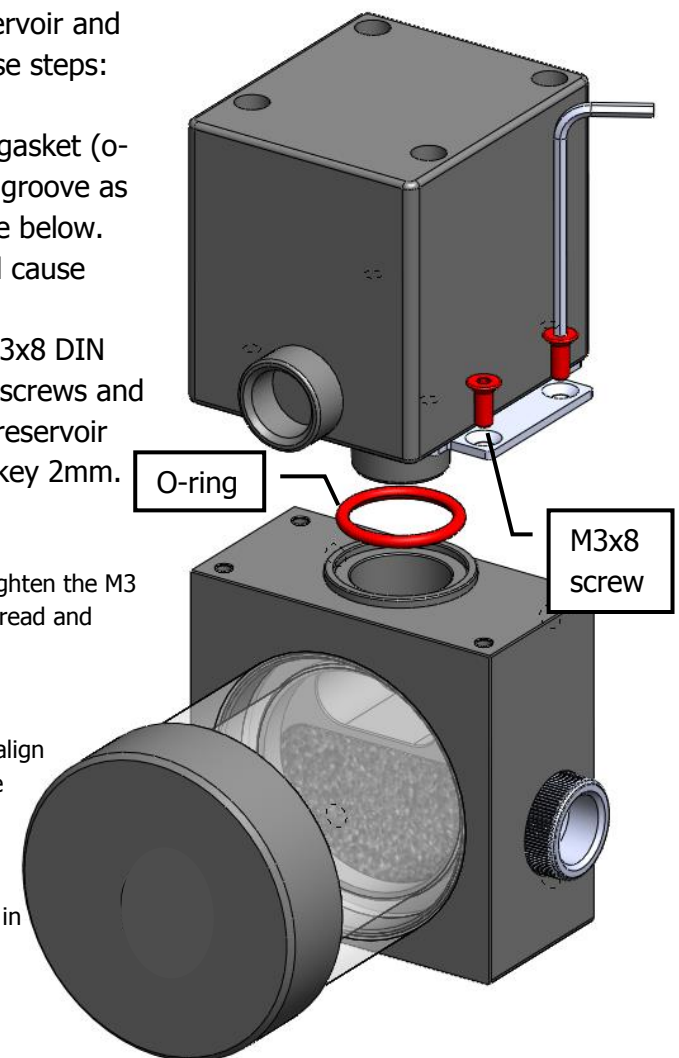
## STEP 3: CONNECTING THE PUMP AND RESERVOIR

In order to connect the reservoir and the pump please follow these steps:

- 1) Install the provided gasket (o-ring) into the milled groove as shown on the picture below. Failing to do this will cause serious leakage.
- 2) Use four enclosed M3x8 DIN 7991 (countersunk) screws and attach pump to the reservoir with enclosed Allen key 2mm.

**CAUTION:**  
 Be extremely careful not to overtighten the M3 screw. Doing this may strip the thread and render product useless.

- TROUBLESHOOTING:**
- If the threaded holes do not align please re-check STEP 2 in the manual.
  - If the screw head does not align (flush) with the metal plate please re-check STEP 2 in manual.

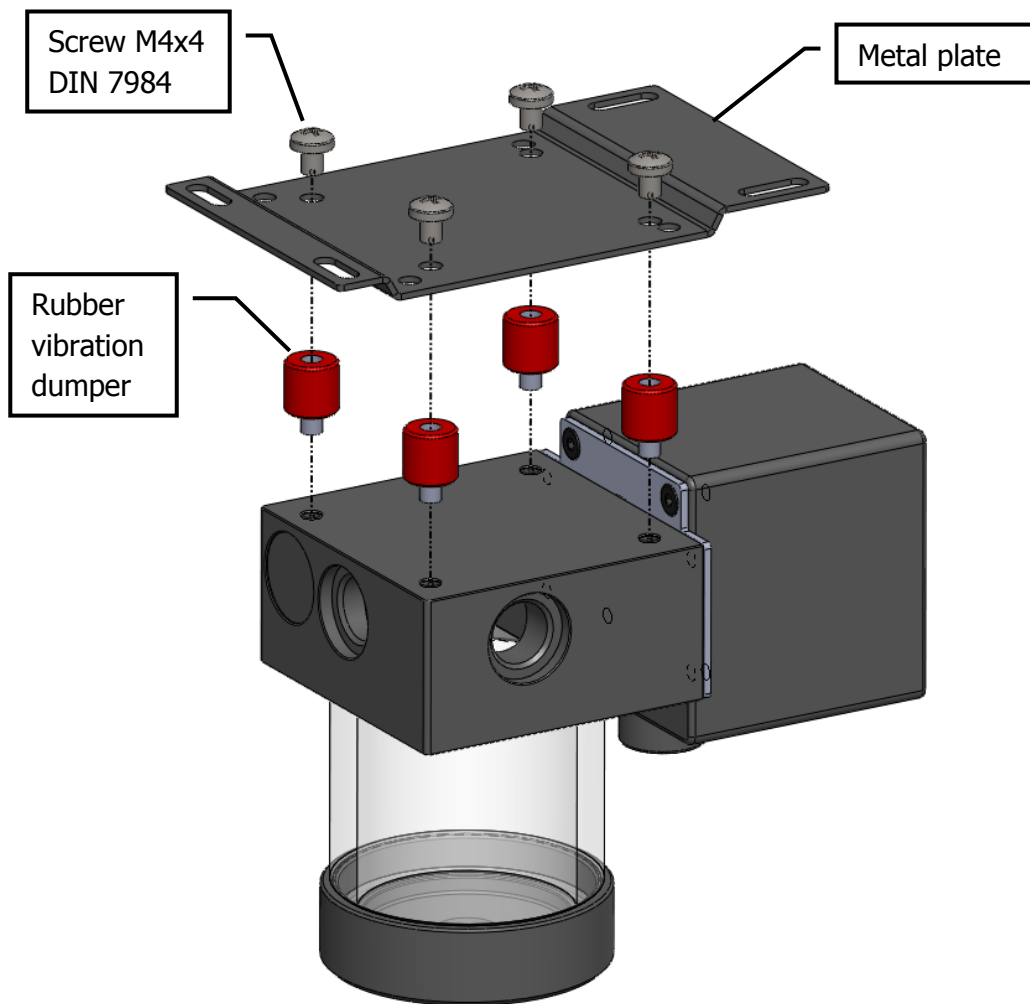


#### STEP 4: INSTALLING THE MOUNTING PLATE:

Screw in the four (4) rubber vibration dampers into the threaded holes on the bottom side of the reservoir. Do not use any tools to fasten the dampers in to position, use thumbs only.

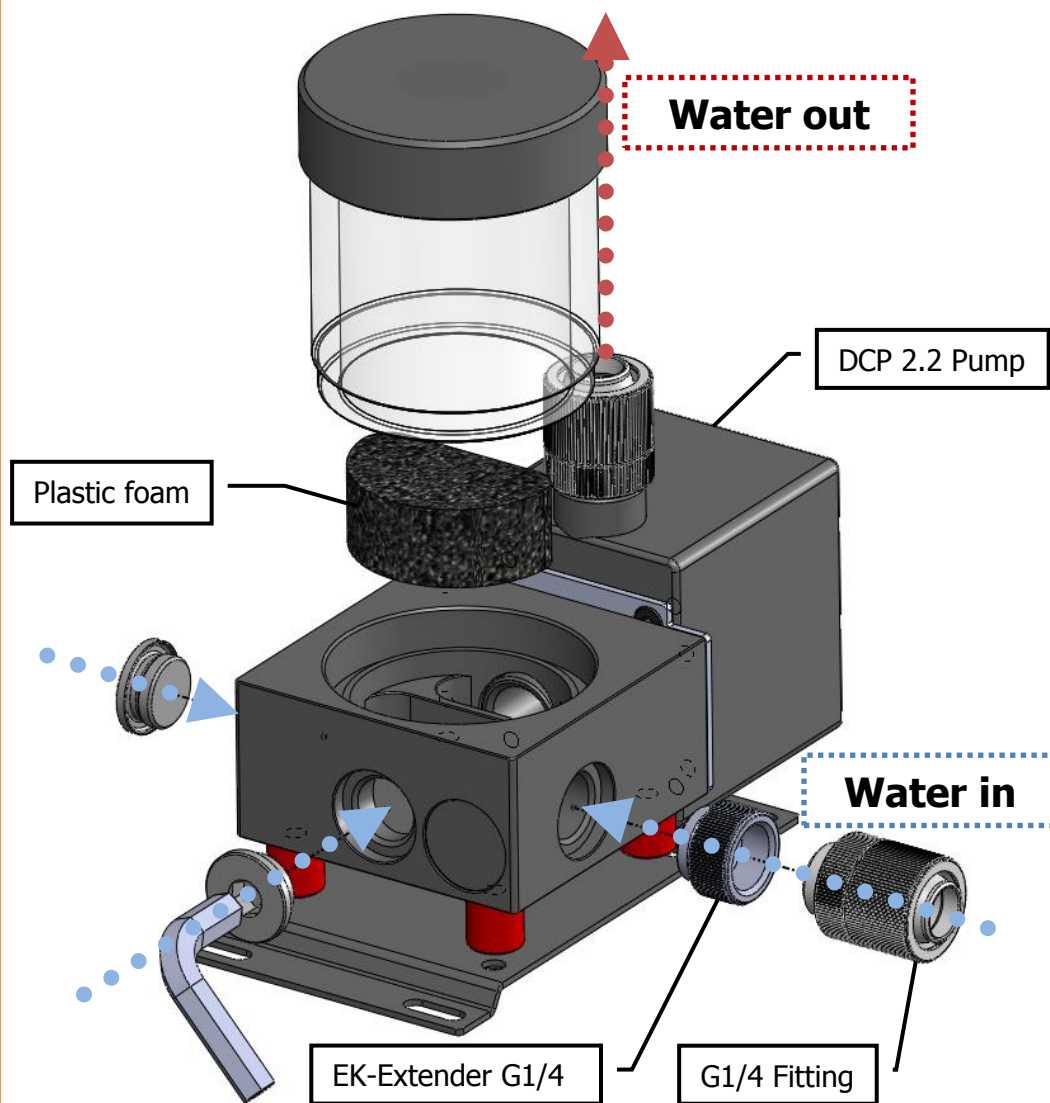
Then use enclosed M4x4 DIN 7984 screws to install the metal plate on the reservoir using enclosed Allen key 2.5mm.

Secure the metal plate through the openings to the computer chassis using enclosed M4x6 ISO7380 screws, washer and M4 nut. User may need to drill 4 (four)  $\Phi$ 4mm holes through chassis metal using electric power drill if there are no appropriate mounting holes available.



#### STEP 5: FINISHING THE INSTALLATION

The EK-XRES DCP 2.2 offers three inlet (suction) G1/4 ports. In order to use the selected port as inlet it is mandatory to use the enclosed EK-Extender G1/4 with the G/4 threaded fitting. Use enclosed G1/4 Plugs to plug the remaining two unused ports. In order to make air bleeding process easier one can install the enclosed PU mesh in the inlet compartment of the XRES.



#### STEP 6: CONNECTING YOUR RESERVOIR

Connect two G1/4 threaded fittings to the reservoir (IN / suction) and pump (OUT / pressure). Please note the water flow orientation. EKWB recommends using EK-CSQ fittings and EK-CSQ Adapters with the EK-XRES DCP 2.2 series reservoirs. To ensure that the tubes are securely attached to the barb/fittings, please use hose clamps or an appropriate substitute.

#### STEP 5: FILLING THE RESERVOIR

Unscrew the top cap and fill the coolant in the reservoir. Make sure the liquid is not spilled over your computer or any electrical devices nearby. Run your pump shortly for couple of times to make sure water floods your tubes and other water cooling components. Repeat the procedure until you are done and pay attention to the water level in your reservoir. Lowest level of the coolant should be at least 1 cm above the plastic (Acetal) base of the reservoir. The highest recommendable water level is approximately 0.5cm below the top of the acrylic tube. Once done with the filling process please close your EK-XRES DCP 2.2 by reinstalling the end cap, twisting it clock-wise.

#### STEP 5: OTHER INSTRUCTIONS

**VERY IMPORTANT NOTICE:** Once the installation is completed, it is a recommended practice to test the cooling circuit for leaks prior to powering up the computer. We recommend a 24 hour leak test prior to powering up the computer. Do not test the product using tap water pressure. This will rupture the top of the housing and render the product unusable (and will void your warranty). While all efforts have been made to provide the most comprehensive tutorial possible, EK Water Blocks assumes no liability expressed or implied for any consequential damage(s) occurring to your equipment as a result of using EK Water Blocks cooling products, either due to errors or omissions on our part in the above instructions, or due to failure or defect in the EK Water Blocks cooling products.

**WARRANTY:** Our products are warranted against defects in materials or workmanship for a period of 24 months beginning from the date of delivery to the final user. During this period, products will be repaired or have parts replaced at our discretion provided that: (I) the product is returned to the agent from whom it was purchased; (II) the product has been purchased by an end user and has not used for commercial purposes; (III) the product has not been misused, handled carelessly, or used in a manner other than in accordance with the instructions provided describing its installation and proper use. This warranty does not confer rights other than those expressly set out above and does not cover any claims for consequential loss or damage. This warranty is offered as an extra benefit and does not affect your statutory rights as a consumer. This warranty is voided if the product comes in contact with aggressive UV additives or other improper liquids.

#### REQUIRED TOOLS:



philips head screwdriver



power drill with 4mm drill bit (optional)