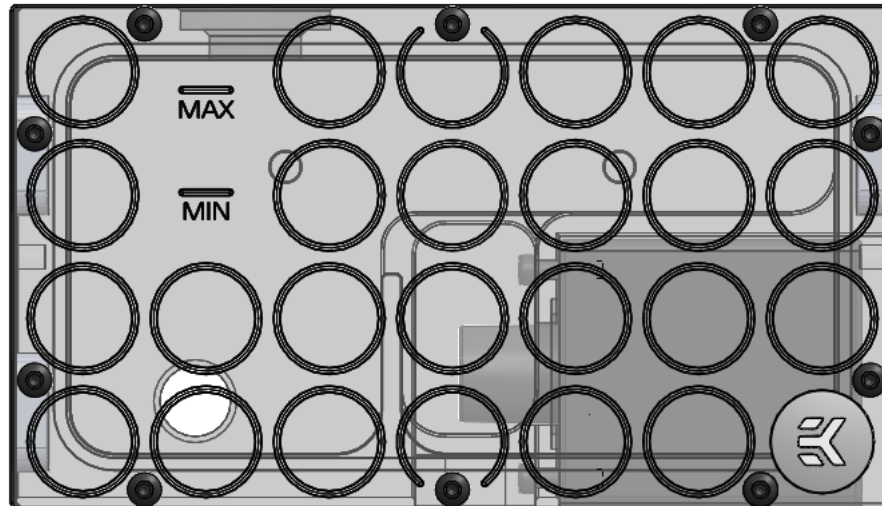


This product is intended for installation only by expert users. Please consult with a qualified technician for installation. Improper installation may result in damage to your equipment. EK Water Blocks assumes no liability whatsoever, expressed or implied, for the use of these products, nor their installation. The following instructions are subject to change without notice. Please visit our web site at www.ekwb.com for updates. Before installation of this product please read important notice, disclosure and warranty conditions printed on the back of the box.

Before you start using this product please follow these basic guidelines:

1. **Please carefully read the manual before through before beginning with the installation process!**
2. **The EK High Flow and EK-PSC type fittings require only a small amount of force to screw them firmly in place since the liquid seal is ensured by the rubber o-ring gaskets.**
3. **The use of quality, market proved corrosion inhibiting coolants is always strongly recommended for any liquid cooling system.**

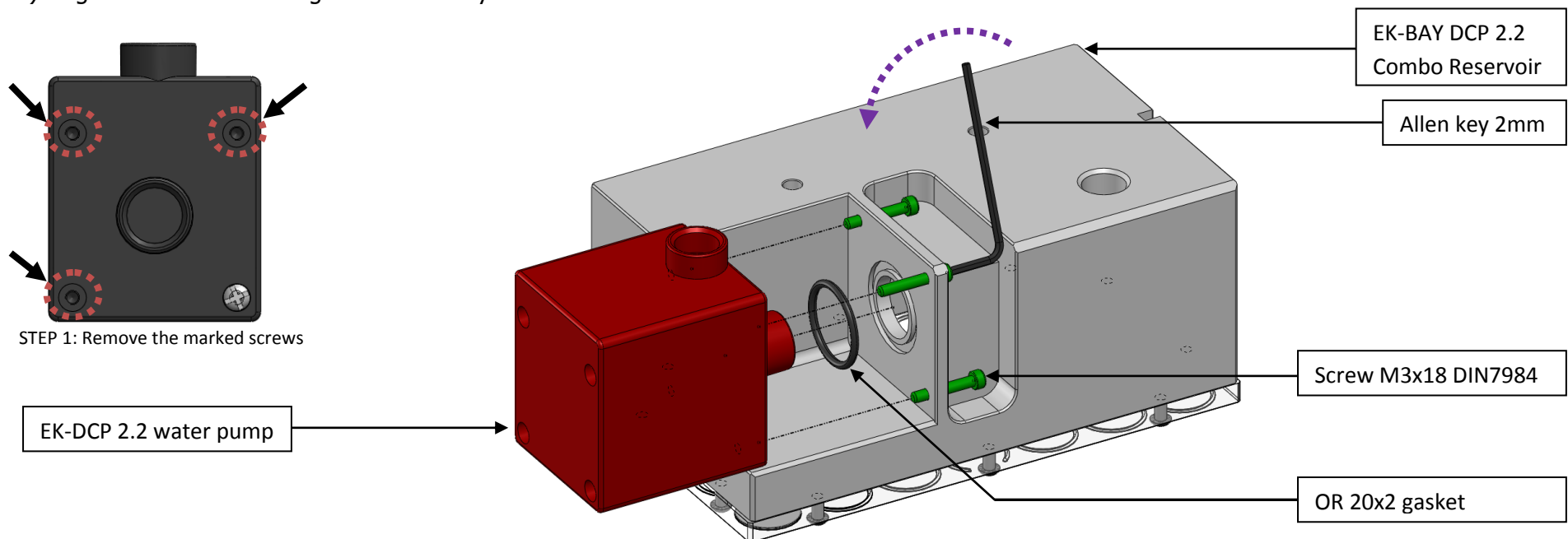
STEP 1: GENERAL INFORMATION. Sample picture of EK-BAY DCP 2.2 Combo Reservoir



STEP 2: INSTALLING EK-DCP 2.2 WATER PUMP TO THE RESERVOIR

Take your reservoir out of the original packaging and place it on a flat, clean surface with the front facing downwards. Proceed with the following steps:

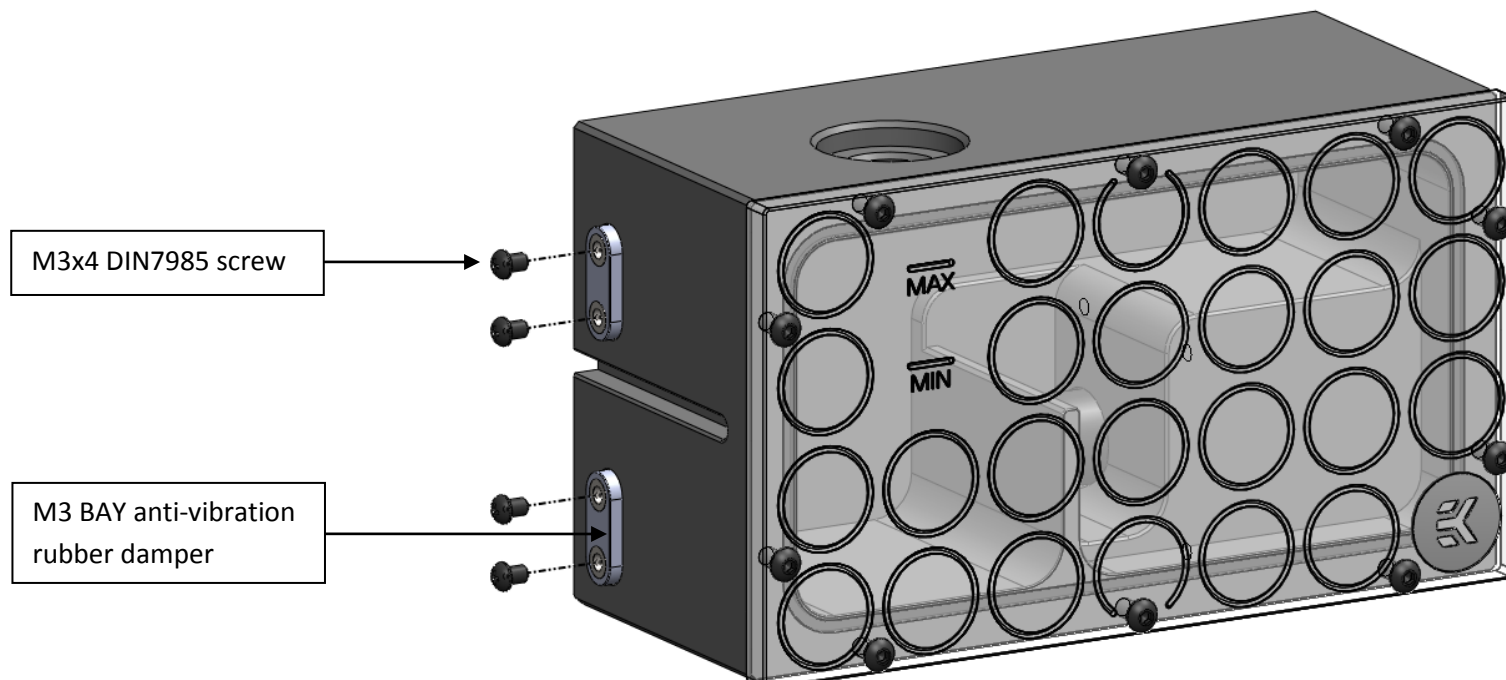
- 1) Remove the three out of four original EK-DCP 2.2 pump screws from the pump using Philips head screwdriver.
- 2) Install o-ring (OR 20x2) gasket into the groove milled in EK-BAY DCP 2.2 Combo Reservoir acetal body. Make sure the gasket is positioned correctly in the groove.
- 3) Place the pump onto the main reservoir body and insert the three (3) M3x18 DIN7984 screws which are provided with the reservoir. EK recommends user to screw-in the screws slightly using your thumbs for the screws prior to tightening them with the enclosed 2mm Allen key.
- 4) Tighten the screws using 2mm Allen Key.



STEP 3: MOUNTING THE RESERVOIR INSIDE YOUR COMPUTER CHASSIS:

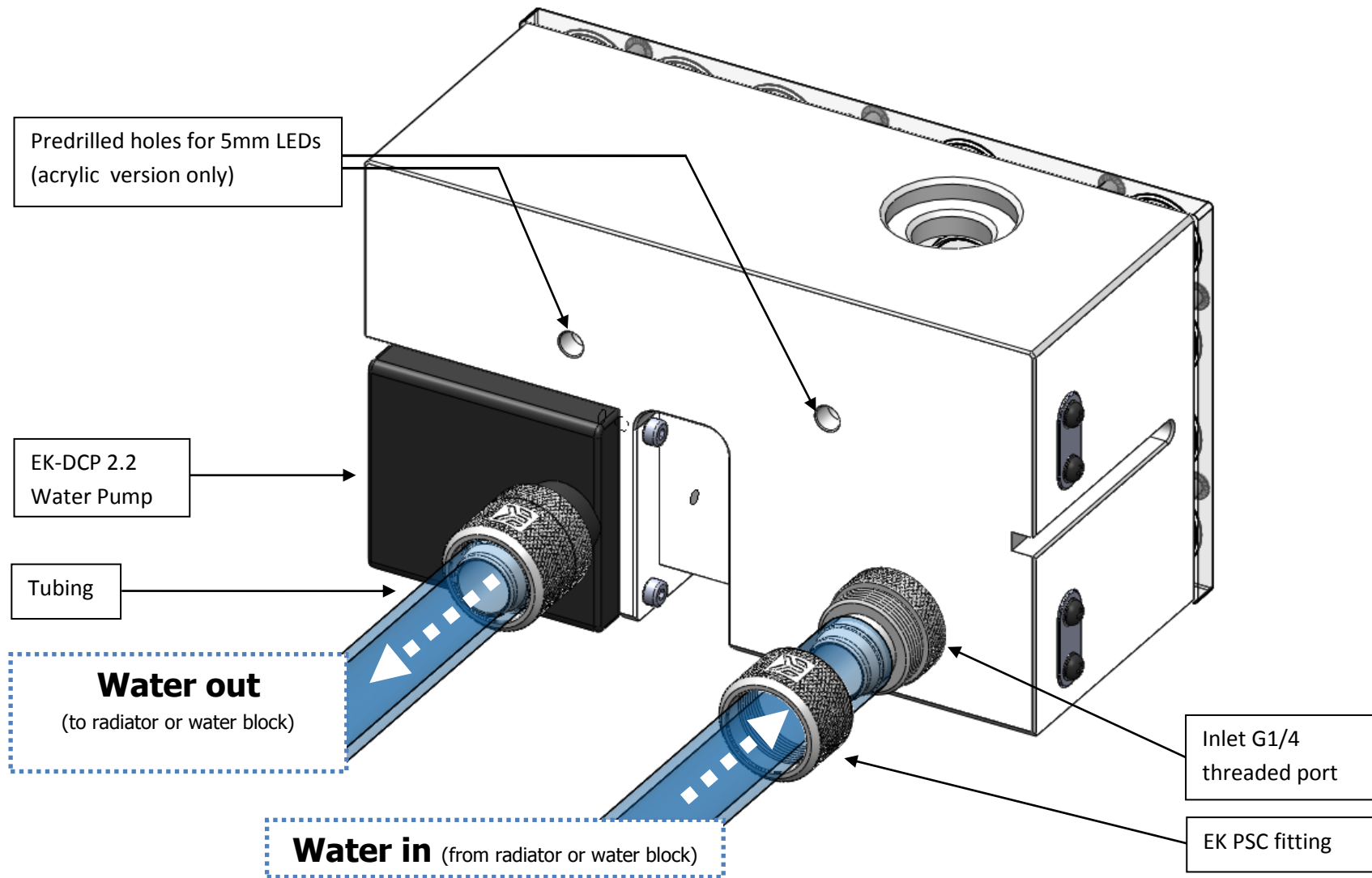
This reservoir occupies two 5.25" drive bay expansion slots in your computer chassis. Free two slots in case they are already occupied with other computer components such as optical- or hard disk drives:

- 1) Install anti-vibration rubber damper into each of the three slots on the sides of the reservoir
- 2) Place the reservoir in your 5.25" drive bay with the front plate facing outwards
- 3) Secure the reservoir to the drive bay cage using the enclosed M3x4 DIN7985 screws and Philip head screwdriver.



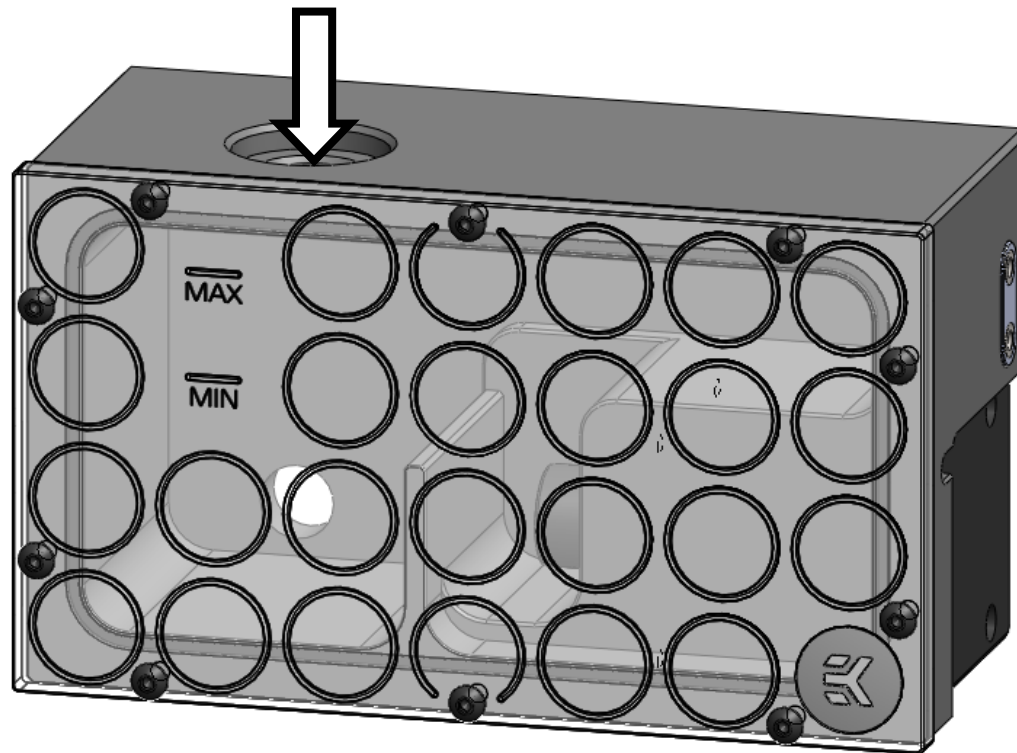
STEP 4: CONNECTING YOUR RESERVOIR

Connect two G1/4 threaded fittings to the reservoir (IN) and pump (OUT). Please note the water flow orientation. EKWB recommends using EK-PSC fittings with the EK-BAY DCP 2.2 Combo Reservoir series reservoirs. To ensure that the tubes are securely attached to the barb/fittings, please use hose clamps or an appropriate substitute.



STEP 5: FILL RESERVOIR

Fill reservoir through G3/8 threaded fill port (marked with arrow) and make sure liquid is not spilled over your computer or any electrical devices nearby. Preferably, your pump's height level should be lower than that of the EK-BAY RES Single reservoir in order to flood and prime the water pump. Run your pump shortly for couple of times to make sure water floods your tubes and other water cooling components. Repeat the procedure until you are done and pay attention to the water level in your reservoir. Lowest and highest recommendable water levels are indicated on the reservoir's front panel (*min*, *max*). Once done with the filling process please close your EK-BAY DCP 2.2 Combo Reservoir with G3/8 plug and tighten the seal using enclosed Allen key.



STEP 5: OTHER INSTRUCTIONS

VERY IMPORTANT NOTICE: Once the installation is completed, it is a recommended practice to test the cooling circuit for leaks prior to powering up the computer. We recommend a 24 hour leak test prior to powering up the computer. Do not test the water block using tap water pressure. This will rupture the top of the housing and render the block unusable (and will void your warranty). While all efforts have been made to provide the most comprehensive tutorial possible, EK Water Blocks assumes no liability expressed or implied for any consequential damage(s) occurring to your equipment as a result of using EK Water Blocks cooling products, either due to errors or omissions on our part in the above instructions, or due to failure or defect in the EK Water Blocks cooling products.

WARRANTY: Our products are warranted against defects in materials or workmanship for a period of 24 months beginning from the date of delivery to the final user. During this period, products will be repaired or have parts replaced at our discretion provided that: (I) the product is returned to the agent from whom it was purchased; (II) the product has been purchased by an end user and has not used for commercial purposes; (III) the product has not been misused, handled carelessly, or used in a manner other than in accordance with the instructions provided describing its installation and proper use. This warranty does not confer rights other than those expressly set out above and does not cover any claims for consequential loss or damage. This warranty is offered as an extra benefit and does not affect your statutory rights as a consumer. This warranty is voided if the product comes in contact with aggressive UV additives or other improper liquids.

REQUIRED TOOLS:



philips head screwdriver