



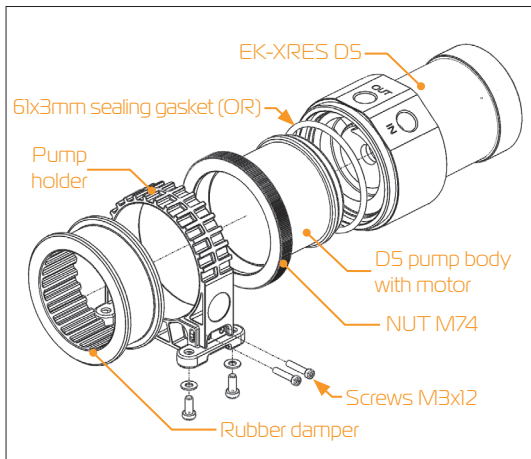
ekwb

2nd revision, Oct 25th 2016

EK-XRES Revo D5

USER GUIDE

INSTALLING THE XRES D5 (already done by EK)



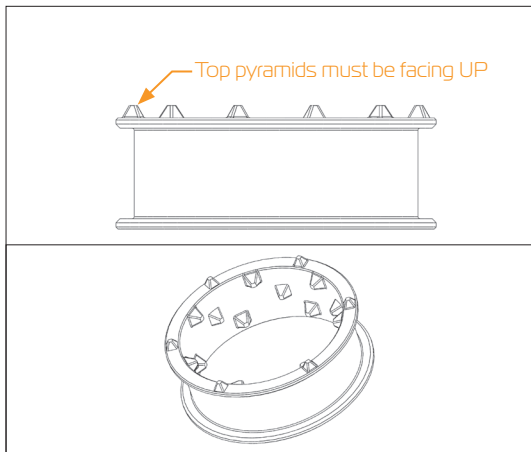
STEP 1

Install the EK-XRES Revo D5 onto the pump main motor housing. Make sure you install EK provided 61x3mm o-ring gasket! Reseat the gasket if needed. You can rotate the pump and use it in any direction except upside-down to best suit your installation.

STEP 2

Secure the pump on the EK-XRES Revo D5 using enclosed M74 Nut.

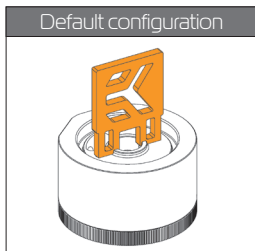
ADDITIONAL DAMPER



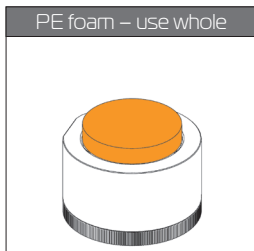
Additional Revo D5 Damper is enclosed. If pump vibrations are higher than expected additional Revo D5 Soft damper can be used. When replacing damper, take care that top pyramids are faced up as shown on picture below. In case of severe tilting of the computer chassis reservoir unit may fall out of the holder. Additional damper use is recommended in vertical reservoir unit mount

USING POLYETHER ANTI-VORTEX FOAM or EK-HD Tube

EK-XRES Revo D5 series pump top / reservoir comes pre-installed with Anticyclone by default. In case your system suffers from excessive vortex issues, air bleeding problems or if the pump is sucking in air you may replace the anticyclone with the enclosed polyether foam or EK-HD Tube. There are two ways to use the polyether anti-vortex foam:



This is the default configuration of EK-XRES Revo D5 series reservoir.



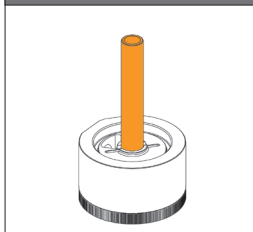
Use the foam as a whole to replace the Anticyclone.

PE foam – trim to fit recess



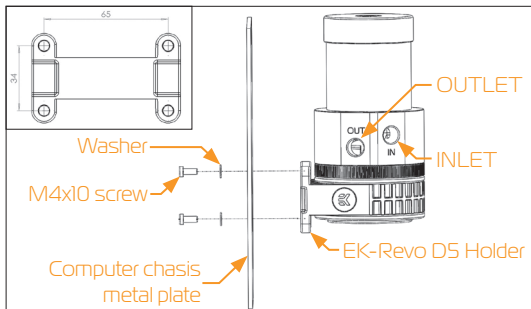
Trim the foam to size to fit into the desired inlet recess on the EK-XRES Revo D5 main body.

HD Tube



Insert enclosed o-ring 16x2 into the groove inside center hole and insert enclosed EK-HD Tube 12/15.

INSTALLING THE RESERVOIR



By default the EK-XRES Revo D5 ships with EK-Revo D5 Holder. This holder is meant to be installed directly on the computer chassis. User may need to drill 4 (four) $\Phi 5\text{mm}$ (enclosed sticker with designated holes) holes through the metal chassis using electric power drill if there are no appropriate mounting holes available.

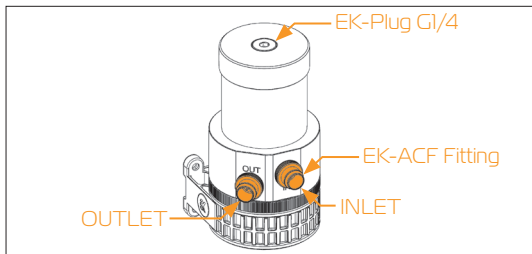
EK recommends users to find an appropriate position in your computer chassis to install the EK-XRES Revo D5 pump assembly. To successfully install the EK-XRES Revo D5 pump/reservoir assembly please complete the following steps:

1. Find an appropriate position for the unit inside (or perhaps outside) of your computer chassis; drill mounting holes if needed. Sticker with designated holes position is enclosed. Before drilling stick it to the Computer chassis.

2. Attach the EK-Revo D5 Holder to the computer chassis metal frame using enclosed 4 (four) M4x10 DIN7984 screws and PVC washers. Secure the screws using enclosed Allen key 2.5mm.

3. Insert the rubber damper into the EK-Revo D5 Holder. Insert the pump into the damper. And secure it using two M3x12 DIN7984 screws from the side of the holder. Use enclosed 2mm Allen key. Your installation is now complete.

ATTACHING FITTINGS



EK-XRES Revo D5 PWM (incl. pump) series reservoir pump combo featured 3 (three) G1/4 threaded ports on the main body of which 1 (one) is inlet and other is outlet. When reservoir is in upright position outlet port is positioned lower than inlet port. EKWB recommends using EK-ACF fittings with the EK-XRES Revo D5 PWM series reservoir pump combo units. To ensure that the tubes are securely attached to the barb/fittings, please use hose clamps or an appropriate substitute.



It is mandatory to use the correct INLET and OUTLET ports:

1. The OUTLET port (pressure port) is, when the reservoir sits in upright position, positioned lower than the inlet port.
2. The INLET port(s) (suction port) is the port with G1/4 threading plane.
3. Make sure not to use fittings or barbs with G1/4 thread longer than 5mm! All EK-ACF, EK-HDC fittings are compatible!



Port on reservoir's top part is not intended to be used as inlet port. The aforementioned port should only be used for connecting this reservoir with external fill port!