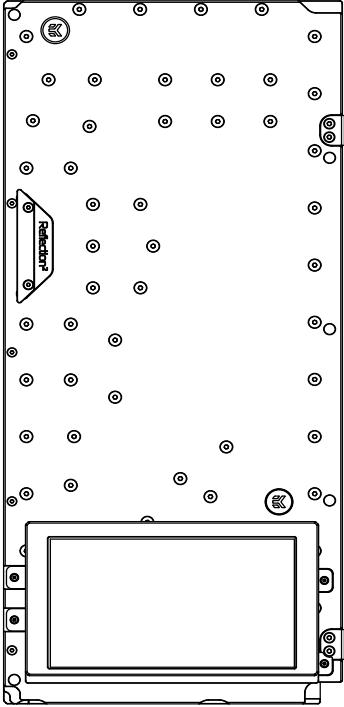


EK-Quantum Reflection² PC-011D XL D5 PWM D-RGB - Screen Edition

DISTRIBUTION PLATE



Please note the installation of the product is intended to be undertaken by an adequately trained and experienced person. You are installing the product at your own risk. If you are not properly trained or experienced or feel unsure about the installation procedure, please refrain from installing the product yourself and contact our tech support for assistance. We disclaim our liability for any damages to the product as well as incidental, consequential, or indirect damages incurred due to improper or inappropriate installation.

Before you start using this product please follow these basic guidelines:

Please carefully read the manual before beginning with the installation process!

The EK Fittings require only a small amount of force to screw them firmly in place since the liquid seal is ensured by the rubber O-ring gaskets.

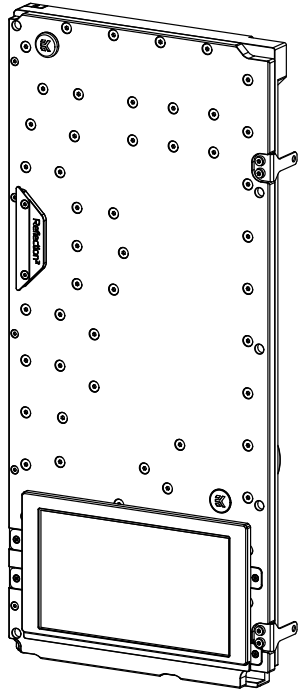
The use of corrosion inhibiting coolants is always recommended for any liquid cooling system.

EKWB recommends any of the EK Cryofuel for worry-free usage.

TABLE OF CONTENT

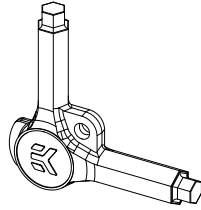
BOX CONTENTS	4
DISTRIBUTION PLATE DIMENSIONS	5
TECHNICAL SPECIFICATIONS AND PRODUCT PARTS	6
PREPARING THE 011D XL CHASSIS	7
PREPARING AND INSTALLING THE DISTRIBUTION PLATE	10
RECOMMENDED DISTRIBUTION PLATE CONFIGURATIONS	12
ATTACHING THE PUSH-IN ADAPTER (OPTIONAL)	14
FLOW DIAGRAM	15
CONNECTING THE D-RGB LED STRIP	16
CONNECTING THE PUMP	16
TESTING THE LOOP	17
SUPPORT AND SERVICE	18
SOCIAL MEDIA	18

BOX CONTENTS

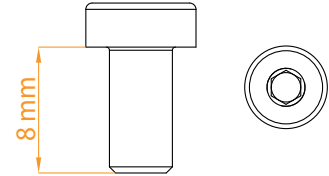


EK-Quantum Reflection² PC-O11D
XL D5 PWM D-RGB - Screen Edition

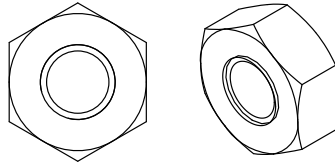
Mounting Mechanism EAN: 105250



EK-Loop Multi Allen Key



Screw M4 x 8 DIN7984 (2 pcs)



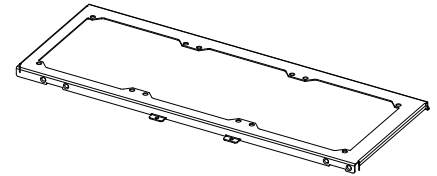
M4 Nut (2 pcs)



Allen Key 2.5 mm (1 pc)

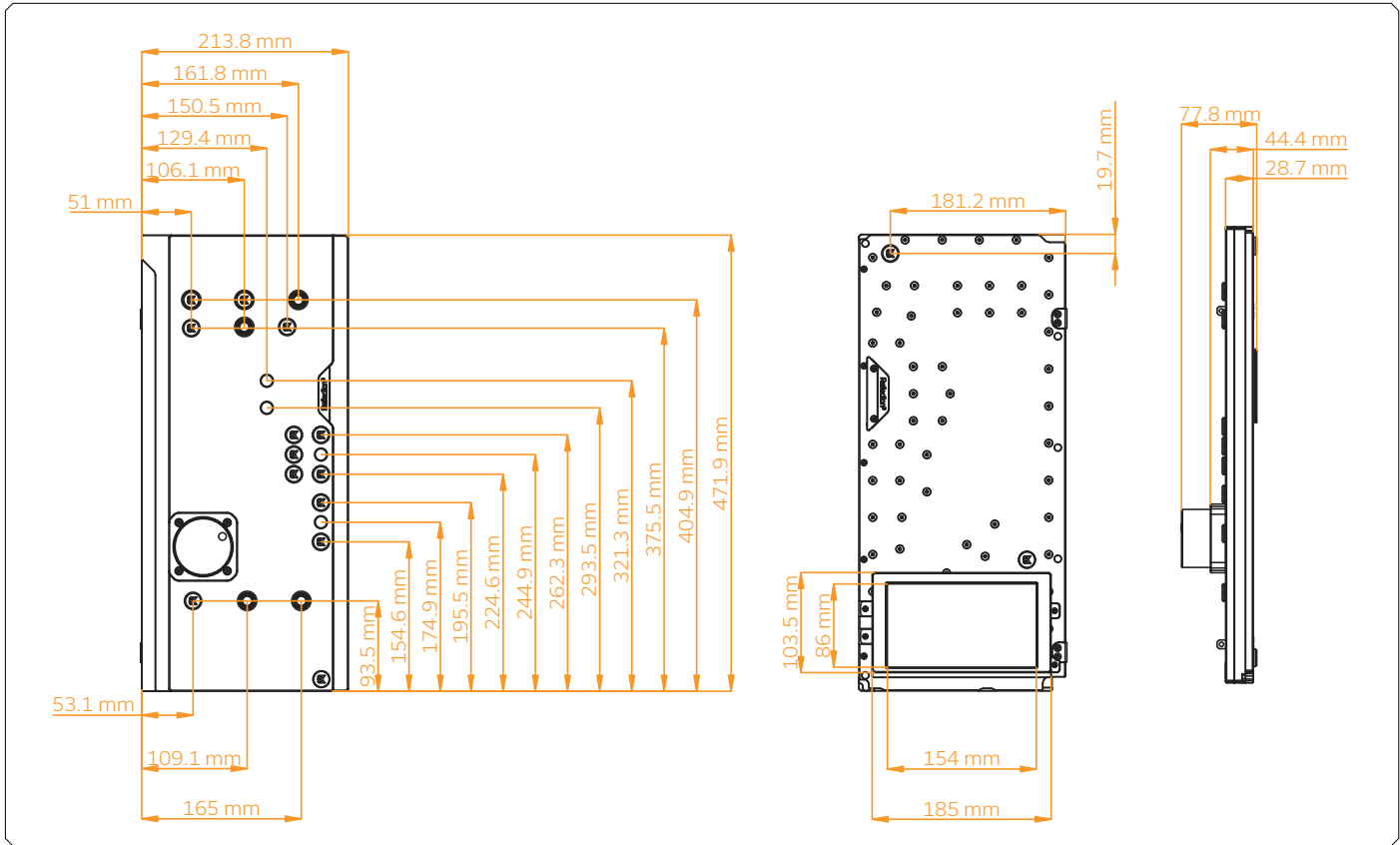


Allen Key 2 mm (1 pc)



Replacement bottom Radiator bracket (1 pc)

DISTRIBUTION PLATE DIMENSIONS

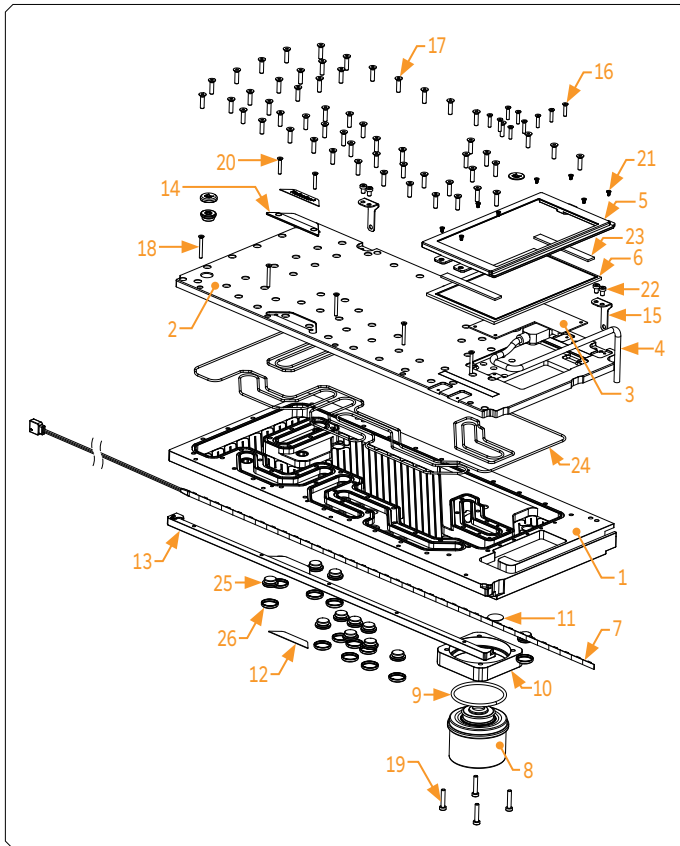


TECHNICAL SPECIFICATIONS AND PRODUCT PARTS

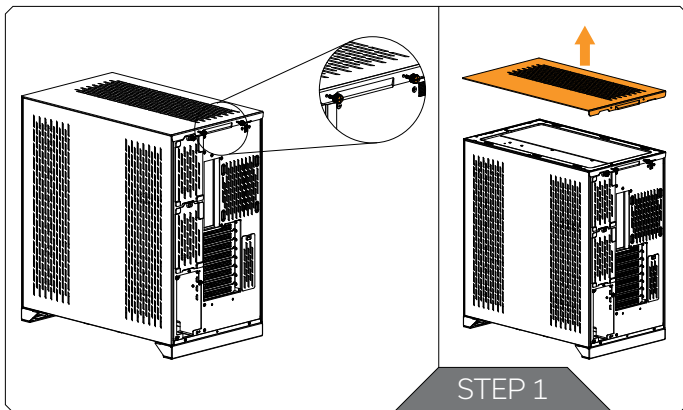
Technical Specification:

- Dimensions with the attached pump (W x D x H): 215.1 x 77.8 x 471.9 mm
- D-RGB LED count: 27
- D-RGB cable length: 500 mm
- D-RGB connector standard 3-pin (+5V, Data, Blocked, Ground)

Position	EAN	Description	Quantity
1	105637	Bottom plate (Plexi)	1
2	105638	Top plate (Plexi)	1
3	104544	PCB	1
4	/	PCB Cables	1
5	105628	LCD Cover (Black e.)	1
6	104546	LED Display	1
7	100815	LED strip 800/600 mm	1
8	3831109813898	D5 Pump	1
9	5154	OR 52 x 3 NBR50	1
10	101803	Pump cover	1
11	100663	EK - Badge	2
12	104599	Mylar sticker	2
13	104639	LED Cover (Black e.)	1
14	104642	L Mount (Black e.)	1
15	104644	R mount (Black)	2
16	8203	Screw M3 x 14 DIN7991	9
17	8312	Screw M4 x 16 DIN7991	56
18	9061	Screw M3 x 25 DIN7991	5
19	8311	Screw M4 x 20 DIN7984	4
20	9017	Screw M3 x 18 DIN7991	2
21	9047	Screw M2.5 x 4 AX1	8
22	9023	Screw M4 x 6 DIN7984	4
23	/	Protective foam	2
24	105629	OR SET	1
25	102639	MS - Quantum Plug - Ni	14
26	3831109834282	Plug Cover (Black)	14



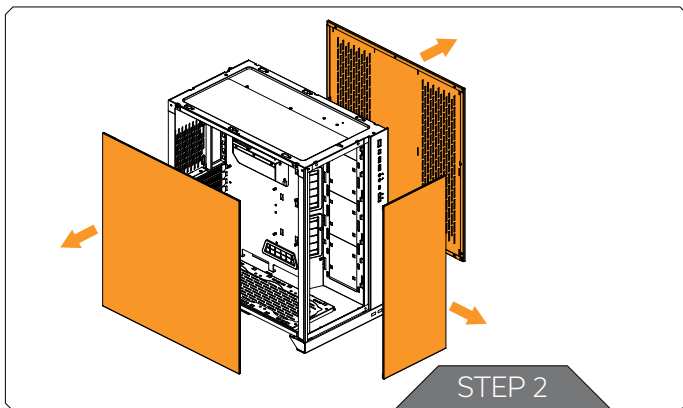
PREPARING THE 011D XL CHASSIS



Before installing the distribution plate, carefully read the PC case manual.

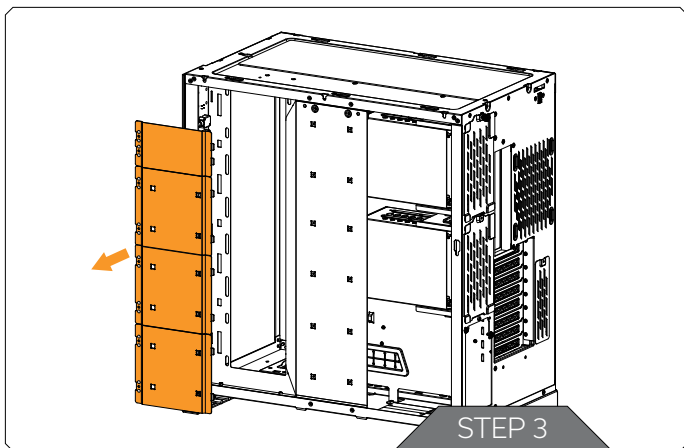
STEP 1

Unscrew the factory provided screws and remove the top panel from the case.



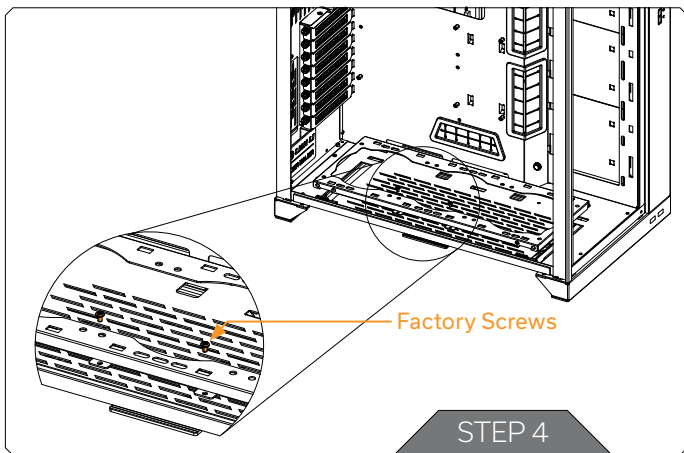
STEP 2

Remove both side panels and the front panel from the case.



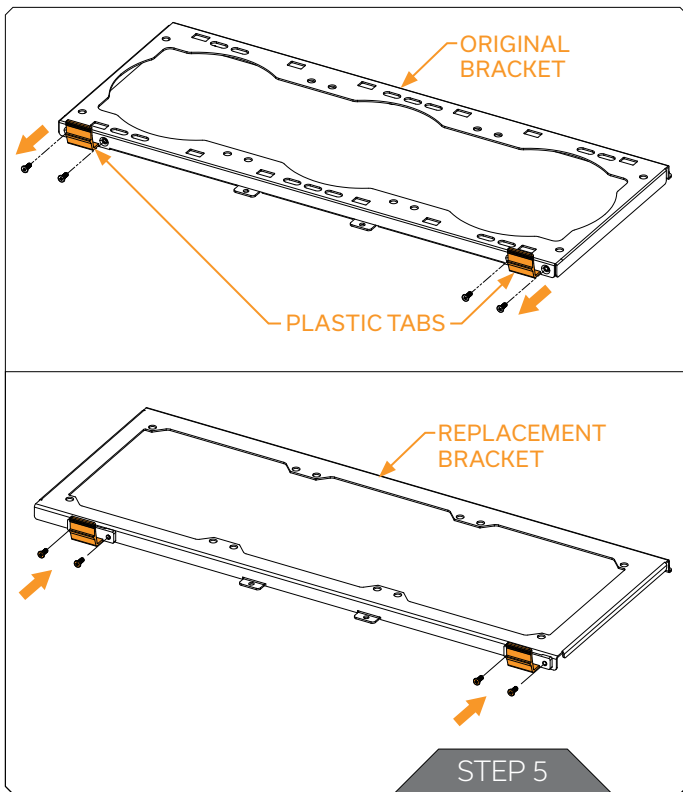
STEP 3

The SSD Trays also need to be removed from the back side of the chassis. Once the distribution plate is secured they can be reinstalled as required.



STEP 4

Unscrew the 2(two) marked factory screws and remove the bottom Radiator bracket.



STEP 5

From the original bottom Radiator bracket, remove two (2) marked plastic tabs attached by four (4) cross pattern screws.

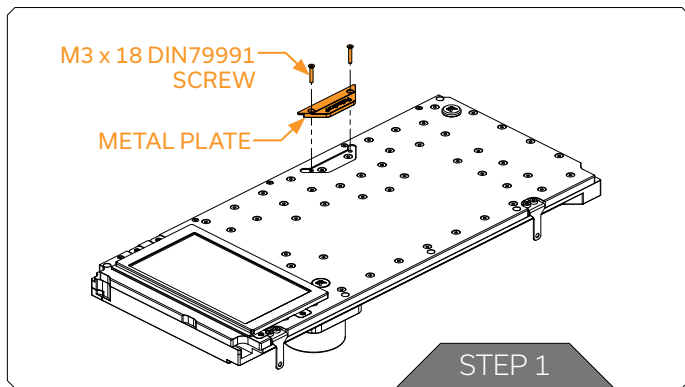


Plastic tabs and screws reattach to the replacement bottom Radiator bracket and secure them with Philips head screwdriver. Tighten the screws evenly.



After securing the distribution plate, replacement bottom Radiator bracket can be installed with the bottom radiator and fans.

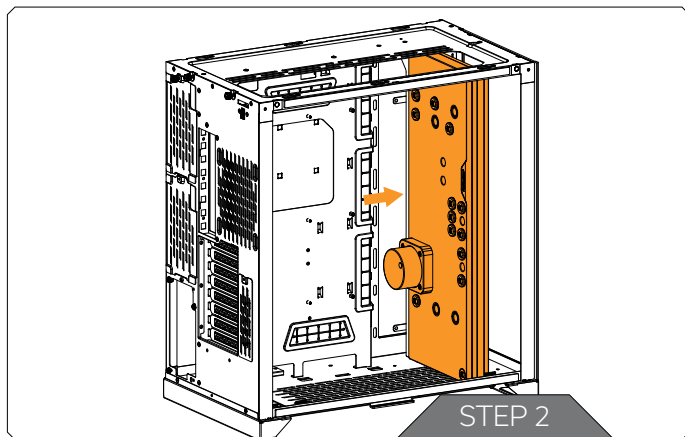
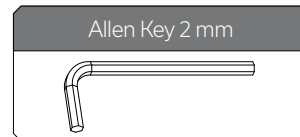
PREPARING AND INSTALLING THE DISTRIBUTION PLATE



STEP 1

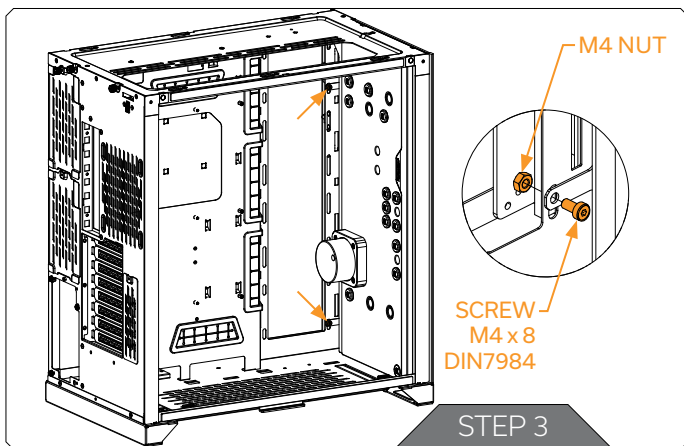
Before installing the distribution plate, unscrew two (2) M3 x 18 DIN7991 Screws and remove the metal plate. Save the removed parts for later steps.

For this step you will need:



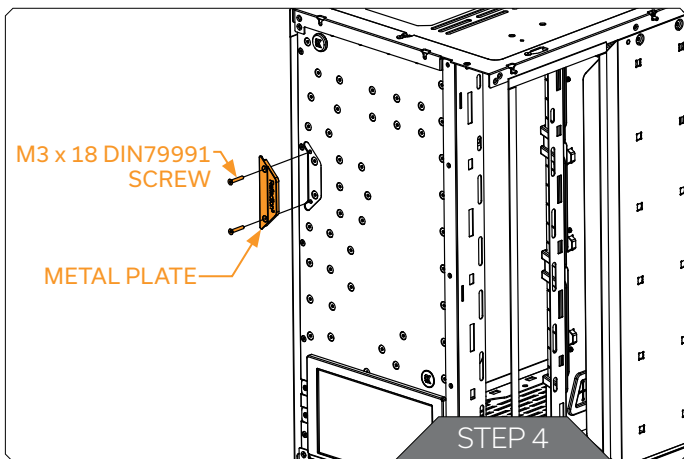
STEP 2

Carefully place the EK-Quantum Reflection PC-O11D XL D5 PWM D-RGB distribution plate into the PC case and align the mounting holes.



STEP 3

Secure the distribution plate to the chassis with two (2) M4 x 8 DIN7984 and M4 nuts (as shown in the diagram).

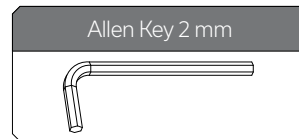


STEP 4

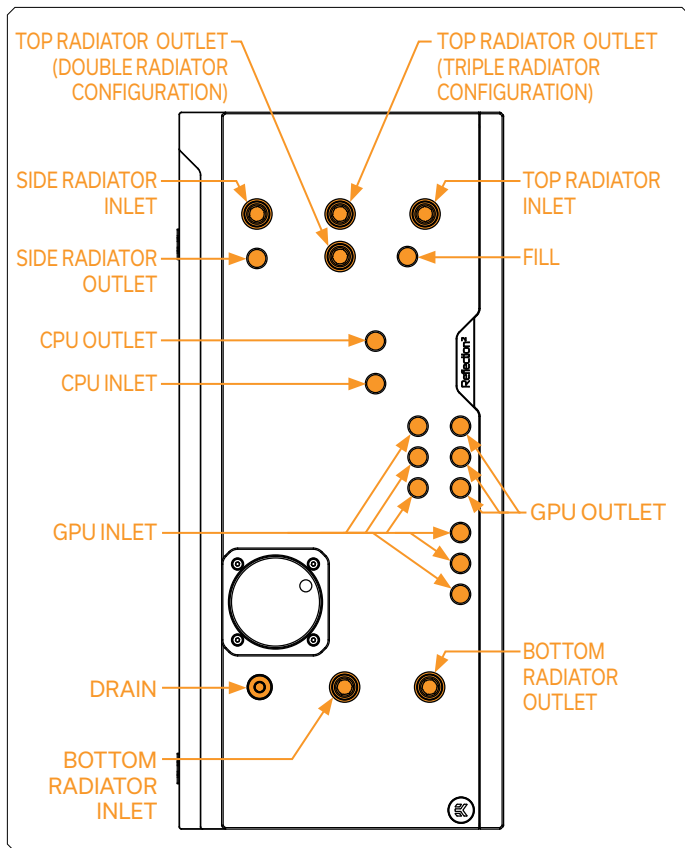
After the distribution plate is secured, the stored metal plate can be reattached using two (2) M3 x 18 DIN7991 Screws. Tighten the screws evenly.

After securing the distribution plate, do not forget to connect the cables to the PC.

For this step you will need:



RECOMMENDED DISTRIBUTION PLATE CONFIGURATIONS



To complete your loop, all ports must be used as marked in the image.

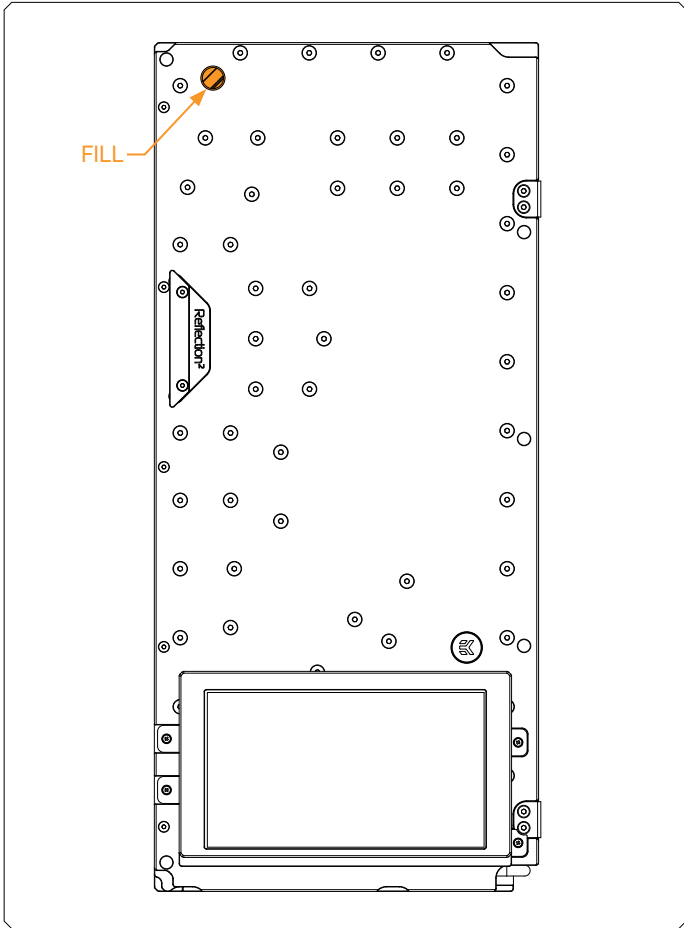
All remaining unused ports must be closed with supplied plugs, using the EK-Loop Multi Allen Key.



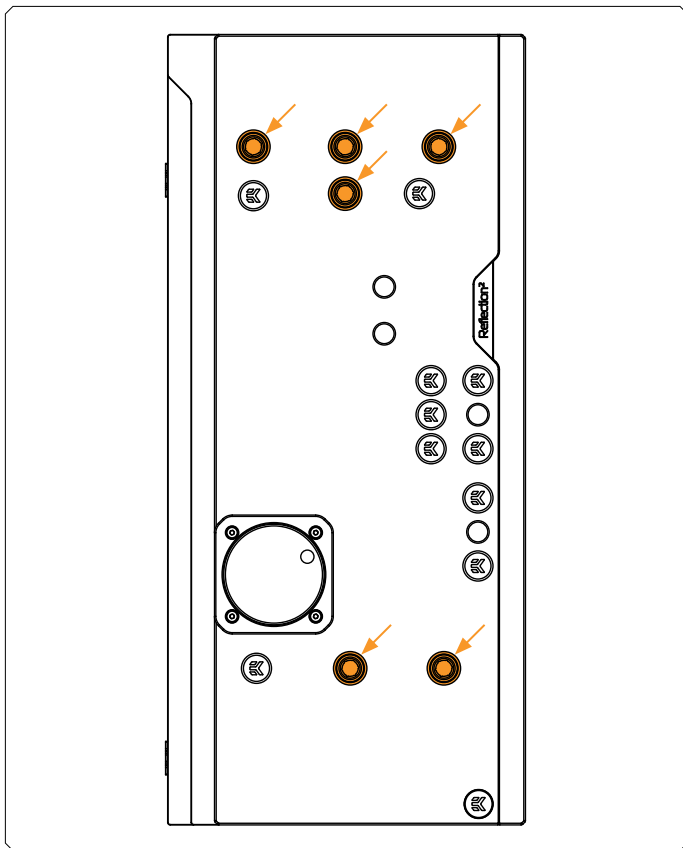
If one of the prescribed components will not be installed (ie. bottom radiator or GPU block) then one INLET and one OUTLET port must still be joined together in order for this distribution plate to function!



Only one INLET and one OUTLET port for the GPU connection can be used, while all other INLET and OUTLET GPU ports must be closed with G1/4 plugs (enclosed in the package).



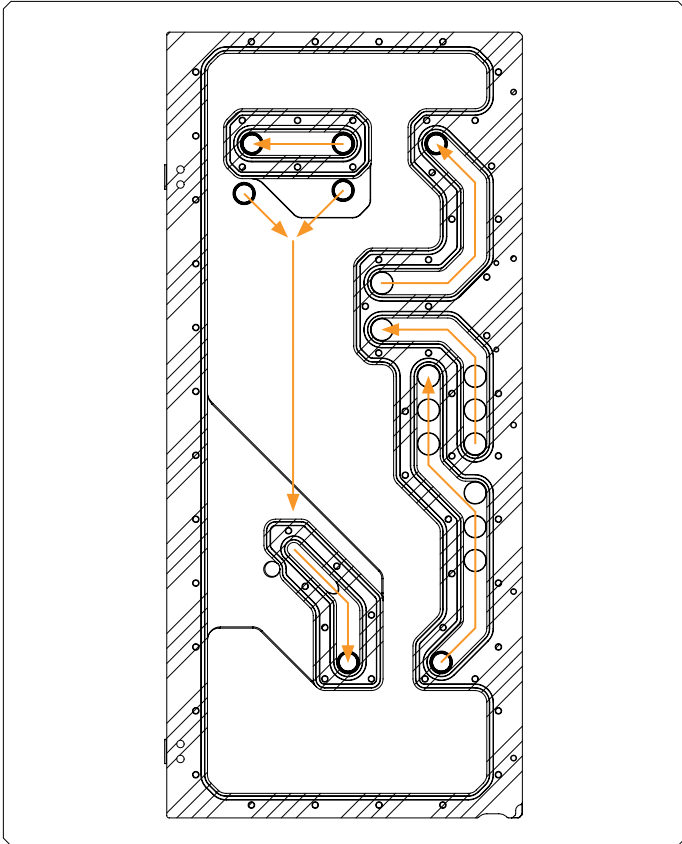
ATTACHING THE PUSH-IN ADAPTER (OPTIONAL)



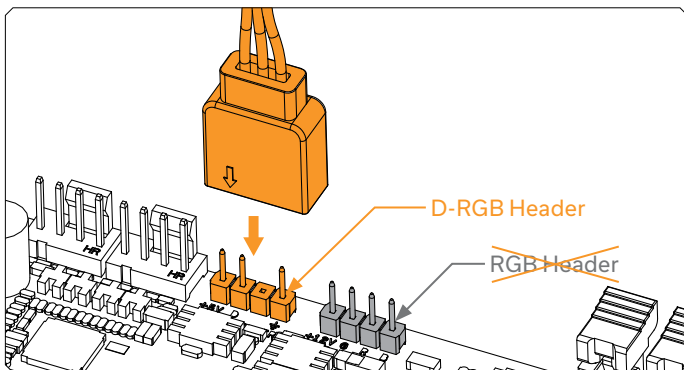
The push-in adapters can be attached to the marked places in the diagram.

For easier installation of the push-in adapters, EK recommends to lubricate the O-rings with a few drops of coolant or water.

FLOW DIAGRAM

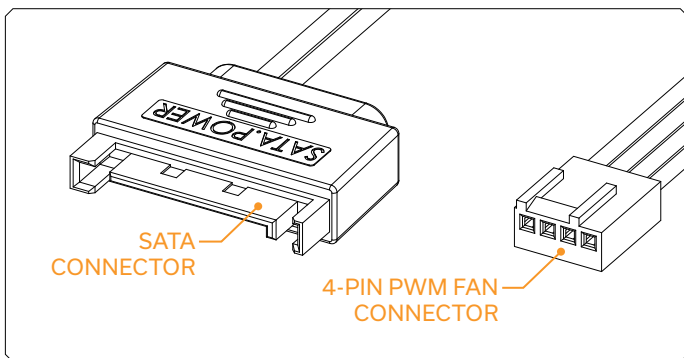


CONNECTING THE D-RGB LED STRIP



Plug the 3-pin connector of the distribution plate D-RGB LED light to the D-RGB HEADER on the motherboard. The LED will work if the pin layout on the header is as follows: **+5V, Digital, Empty, Ground.**

CONNECTING THE PUMP



The EK-D5 PWM pump has two connectors.

- 1. SATA Connector:** It must be connected directly to your PSU at all times as it is used to power the pump.
- 2. 4-pin PWM fan:** It can be connected to your motherboard's CPU_ Fan or designated water pump header. It can also be connected to a controller. This cable is used to control and report the rotational speed of the pump. If it's not connected, the pump will run at maximum speed (100% PWM).

TESTING THE LOOP

To make sure the installation of EK components was successful, we recommend you perform a leak test for 24 hours.

When your loop is complete and filled with coolant, connect the pump to a PSU outside of your system. Do not connect power to any of the other components. Turn on the PSU and let the pump run continuously. It is normal for the coolant level to drop during this process as air collects in the distribution plate.

Inspect all parts of the loop, and in the eventuality that coolant leaks, fix the issue and repeat the testing process. Ensure that all hardware is dry before the system is powered on in order to prevent any damage.

SUPPORT AND SERVICE

In case you need assistance or wish to order spare parts or a new mounting mechanism, please contact:


<https://www.ekwb.com/customer-support/>

For spare parts orders, refer to the page with "TECHNICAL SPECIFICATIONS AND PRODUCT PARTS" where you can find the EAN number of each part you might need.


Include the EAN number with quantity in your request. Mounting Mechanism EAN can be found under "BOX CONTENTS"

Thermal pads are readily available in the EK shop

SOCIAL MEDIA

 EKWaterBlocks

 @EKWaterBlocks

 ekwaterblocks

 EKWBofficial

 ekwaterblocks

