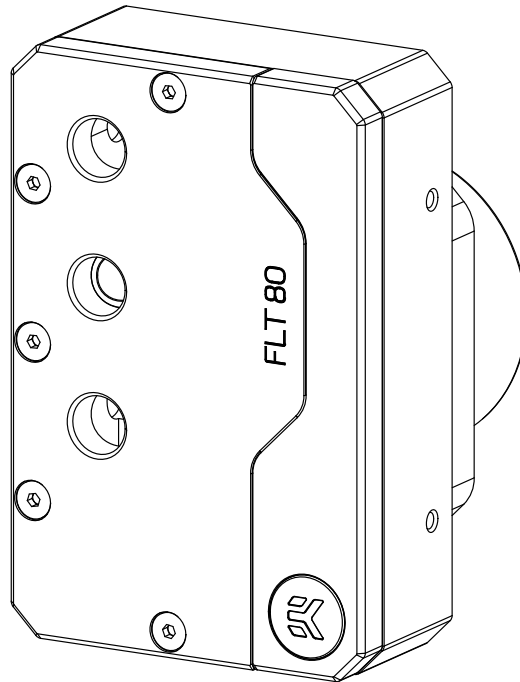


EK-Quantum Kinetic FLT 80 D5/DDC



Before you start using this product, please follow these basic guidelines:

Please carefully read the manual before beginning with the installation process!

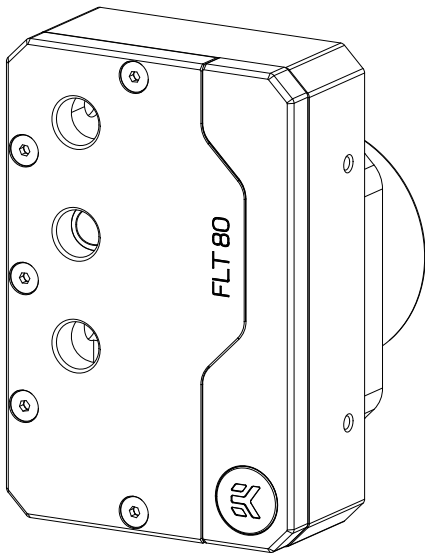
The EK fittings require only a small amount of force to screw them firmly in place since the liquid seal is ensured by the rubber o-ring gaskets.

The use of corrosion inhibiting coolants is always recommended for any liquid cooling system. EKWB recommends any of the EK-Cryofuel for worry-free usage.

TABLE OF CONTENTS

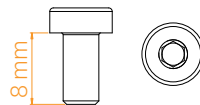
BOX CONTENTS	4
RESERVOIR DIMENSIONS	5
TECHNICAL SPECIFICATIONS AND PRODUCT PARTS	6
GENERAL INFORMATIONS	8
INSTALLING EK-QUANTUM KINETIC FLT WITH SUPPLIED MOUNTS	9
INSTALLING EK-QUANTUM KINETIC FLT USING UNI PUMP BRACKET	11
ATTACHING EK-QUANTUM KINETIC FLT WITH SUPPLIED MOUNTS	11
ATTACHING THE FITTINGS	13
CONNECTING THE D-RGB LED STRIP	14
TESTING THE LOOP	14
SUPPORT AND SERVICE	15
SOCIAL MEDIA	15

BOX CONTENTS

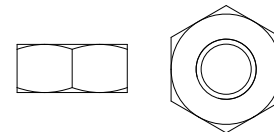


EK-Quantum Kinetic FLT 80 D5/DDC

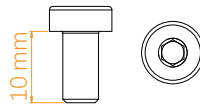
Mounting Mechanism – You may not need every screw from this package. EAN: 102171



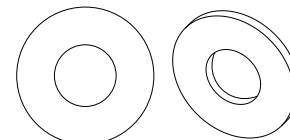
M4 x 8 DIN7984 Screw (4 pcs)



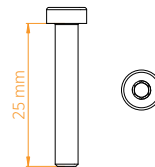
M4 Nut (4 pcs)



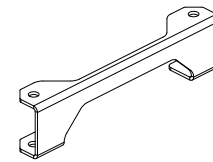
M4 x 10 DIN7984 Screw (4 pcs)



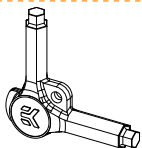
PVC Washer M4 (4 pcs)



M4 x 25 DIN7984 Screw (4 pcs)



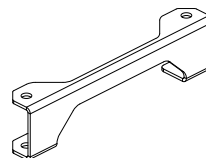
DDC Mount (2 pcs)



EK-Loop Multi Allen Key (1 pc)



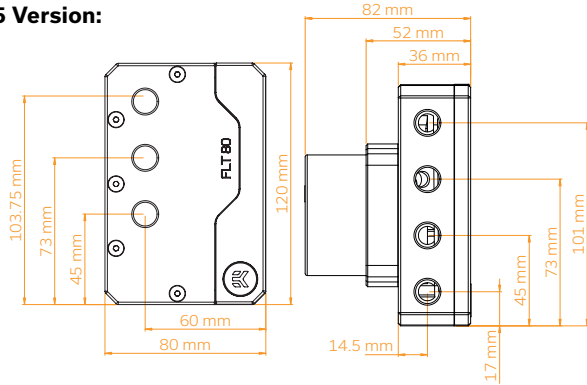
Allen Key 2.5 mm (1 pc)



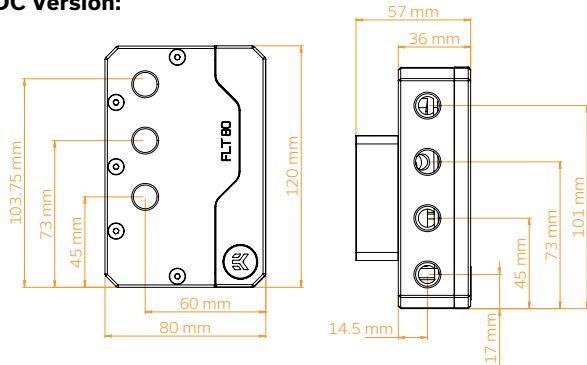
D5 Mount (2 pcs)

RESERVOIR DIMENSIONS

D5 Version:



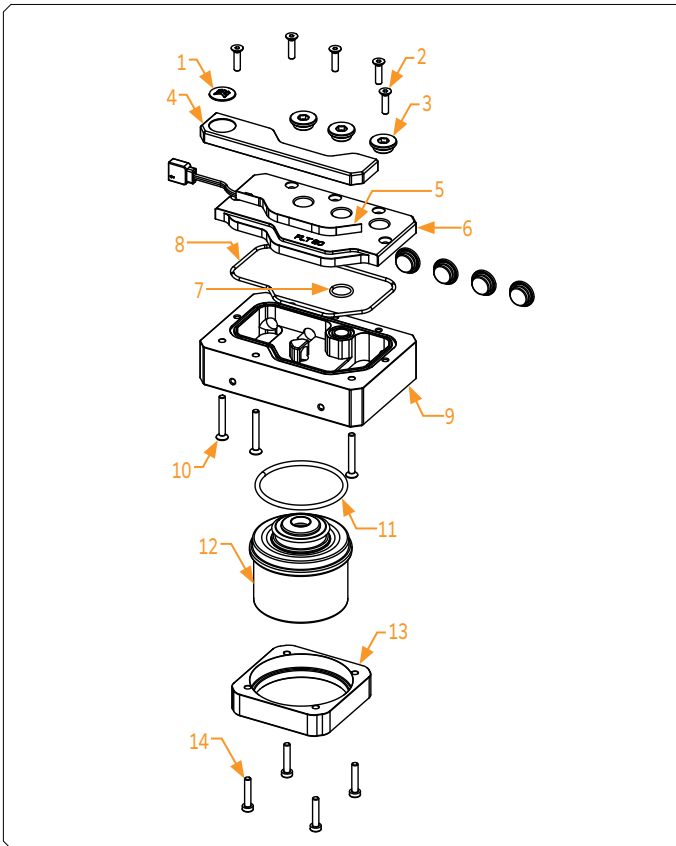
DDC Version:



TECHNICAL SPECIFICATIONS AND PRODUCT PARTS

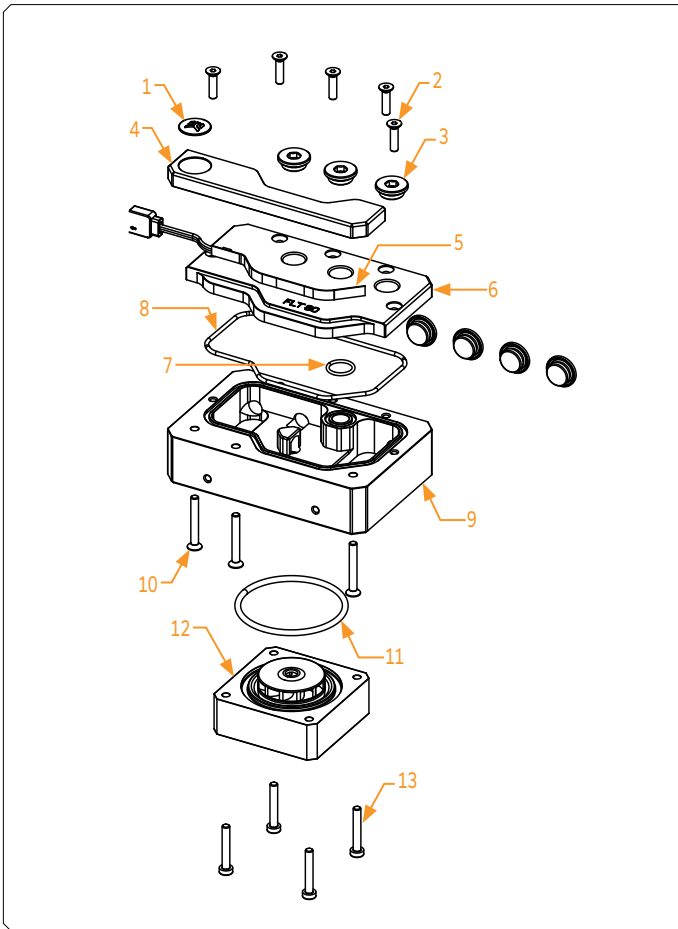
D5 Version:

Position	EAN	Description	Quantity
1	100663	EK Badge	1
2	8312	M4 x 16 7991DIN Screw	5
3	103116	EK Plug G1/4	7
4	103773	Alu cover (Black)	1
5	100199	D-RGB LED Strip	1
6	103989	Top plexi plate	1
7	5092	OR 12 x 1.5	1
8	101921	OR 88 x 2	1
9	103772	Bottom plexi plate	1
10	102214	M4 x 30 DIN7991 Screw	3
11	5154	OR 52 x 3	1
12	3831109837597	D5 Pump	1
13	101803	Pump holder	1
14	8311	M4 x 20 DIN7984 Screw	4



DDC Version:

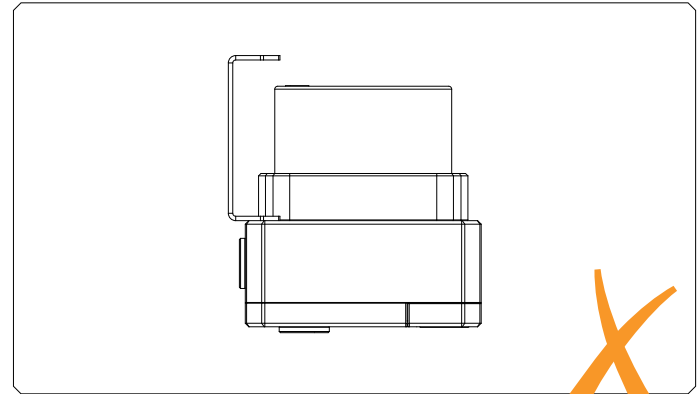
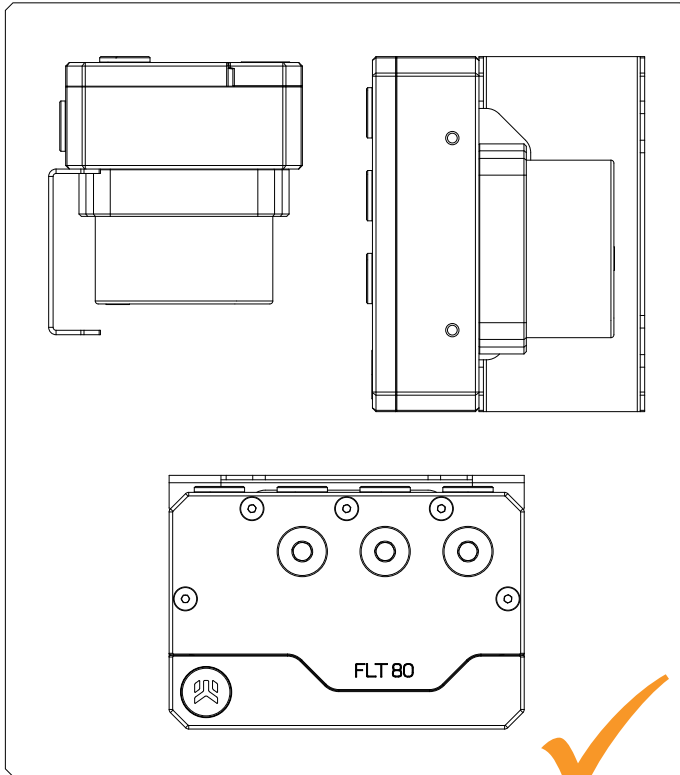
Position	EAN	Description	Quantity
1	100663	EK Badge	1
2	8312	M4 x 16 7991DIN Screw	5
3	103116	EK Plug G1/4	7
4	103773	Alu cover (Black)	1
5	100199	D-RGB LED Strip	1
6	103989	Top plexi plate	1
7	5092	OR 12 x 1.5	1
8	101921	OR 88 x 2	1
9	103772	Bottom plexi plate	1
10	102214	M4 x 30 DIN7991 Screw	3
11	5236	OR 46 x 2	1
12	3831109837597	DDC Pump	1
13	9018	M4 x 25 DIN7984 Screw	4



GENERAL INFORMATIONS

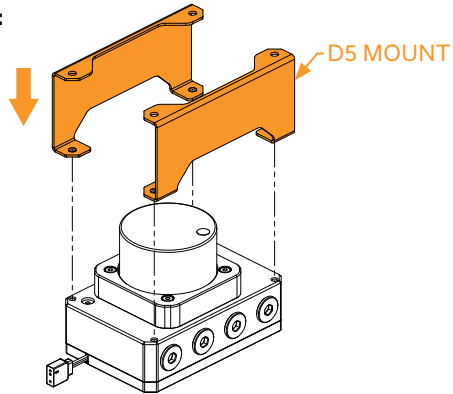
FLT Reservoir can be mount in multiple directions. Vertically and horizontally position is optional.

Do not mount FLT Reservoir when the pump is in dead position.



INSTALLING EK-QUANTUM KINETIC FLT WITH SUPPLIED MOUNTS

D5 Version:



To enable installation of the reservoir where clearance for the pump is required, EK supplies a pair of FLT mounts along with M4 nuts, washers and additional screws.

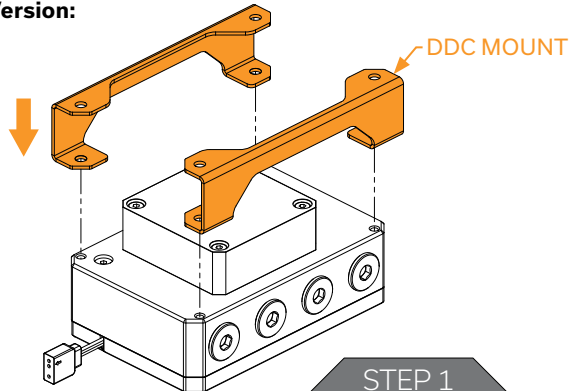


In case of using standard fan mounting location, only one supplied mount is required.

STEP 1

Position the mounts as shown on the picture!

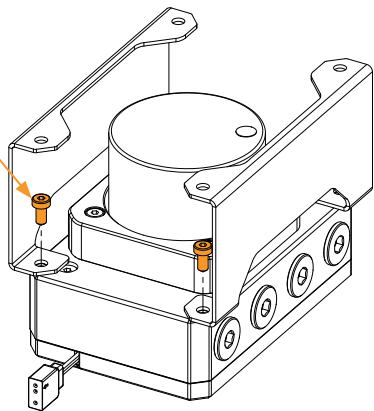
DDC Version:



STEP 1

D5 Version:

M4 x 8 DIN7984

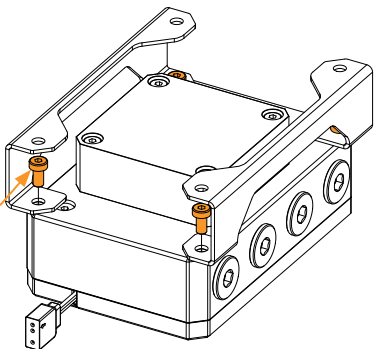


STEP 2

Screw the mounts in place using supplied M4 x 8 screws and 2.5 mm Allen key.

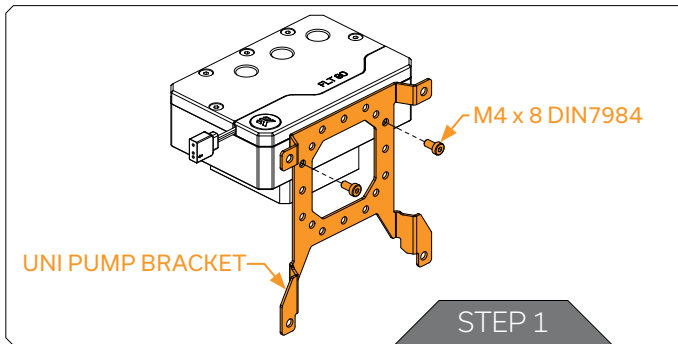
DDC Version:

M4 x 8 DIN7984



STEP 2

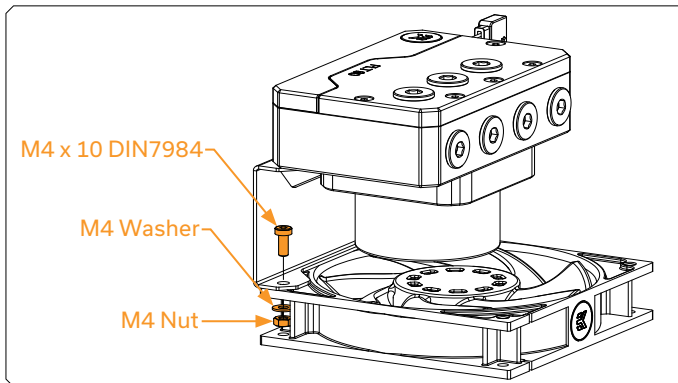
INSTALLING EK-QUANTUM KINETIC FLT USING UNI PUMP BRACKET



STEP 1

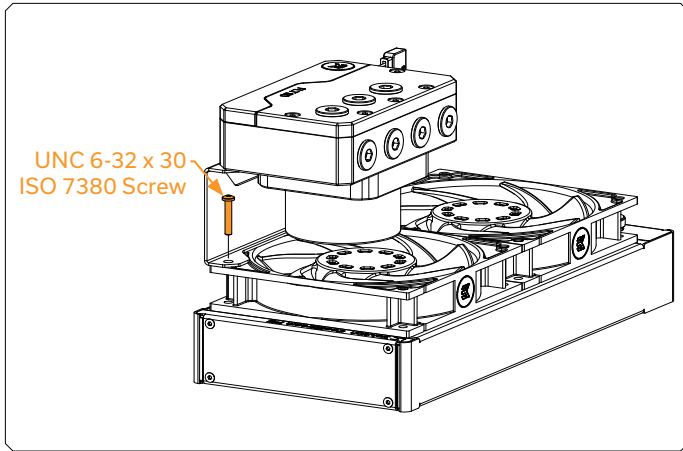
Position the bracket onto the reservoir and make sure that holes are aligned (as shown on the picture). Tighten the M4 x 8 DIN7984 Screws using M2.5 Allen Key. Tighten the screws evenly.

ATTACHING EK-QUANTUM KINETIC FLT WITH SUPPLIED MOUNTS



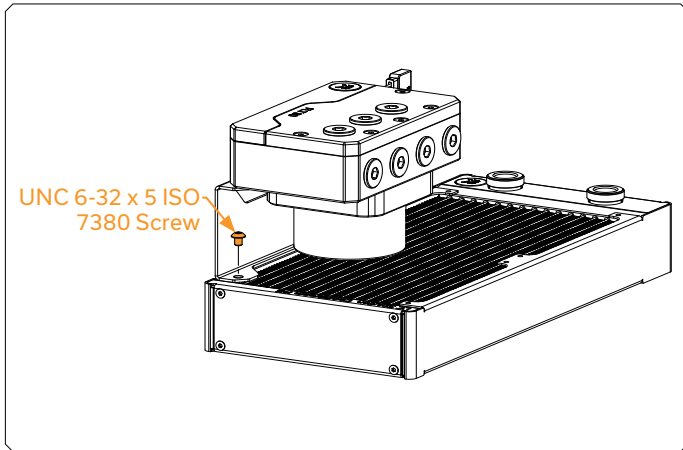
3a.

Included M4 nuts, washers and M4 x 10 screws can be used to mount the flat reservoir to a fan.



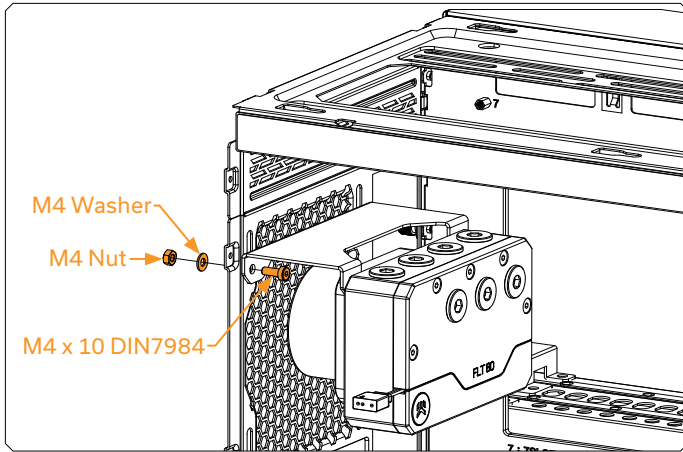
3b.

Using 30 mm long screws supplied with your radiator the reservoir can be mounted onto the radiator and 25 mm thick fans together.



3c.

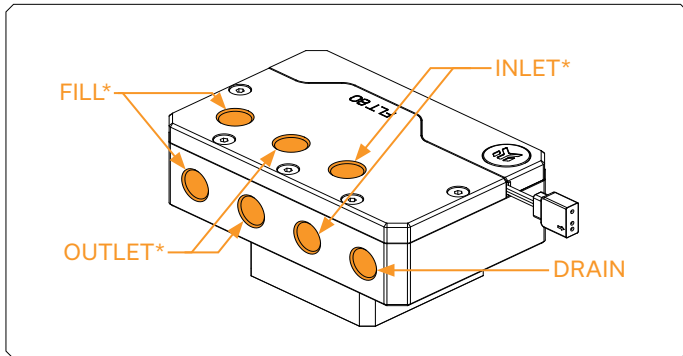
Alternatively the shorter 5mm long screws from the radiator may be used to mount only the reservoir.



3d.

Lastly the supplied M4 nuts, washers and M4 x 10 screws may be used to secure the reservoir to a case with the mounts. This is useful when there is no clearance behind for the pump or to prevent all airflow being blocked.

ATTACHING THE FITTINGS



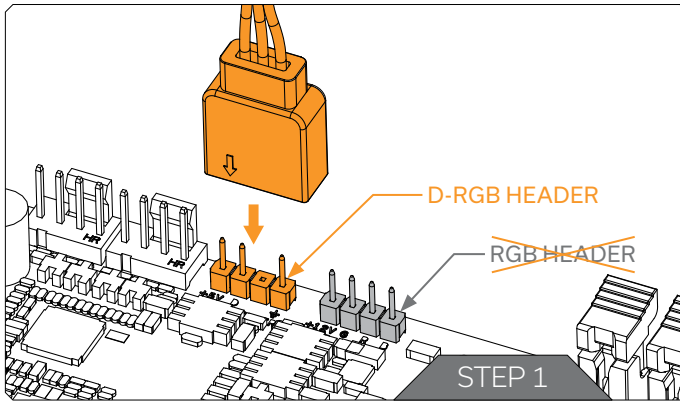
EK-Quantum Kinetic FLT has two inlet and two outlet ports, one of each must be used!



All the unused ports should be blocked using G1/4 plugs!

*Optional

CONNECTING THE D-RGB LED STRIP



STEP 1

Plug the **3-pin connector** from Water block's D-RGB LED light to the **D-RGB HEADER** on the motherboard. The LED will work if the pin layout on the header is as follows: **+5V, Digital, empty, Ground**.



Please ensure that the arrow indicated on the connector is plugged into the +5V line as indicated on your motherboard. Failure to do so will damage your motherboard or the LED strip.

TESTING THE LOOP

To ensure the installation of EK components was successful, we recommend you perform a 24-hour leak test.

When your loop is complete and filled with coolant, connect the pump to a PSU outside your system. Do not connect power to any of the other components. Turn on the PSU and let the pump run continuously. It is normal for the coolant level to drop during this process as air collects in the reservoir.

Inspect all parts of the loop, and in case the coolant leaks, fix the issue and repeat the testing process. To prevent possible damage, please ensure that all hardware is dry before the system is powered on.

SUPPORT AND SERVICE

In case you need assistance or wish to order spare parts or a new mounting mechanism, please contact:


<https://www.ekwb.com/customer-support/>

For spare parts orders, refer to the page with "TECHNICAL SPECIFICATIONS AND PRODUCT PARTS" where you can find the EAN number of each part you might need.


Include the EAN number with quantity in your request. Mounting Mechanism EAN can be found under "BOX CONTENTS".

Thermal pads are readily available in the EK shop.


SOCIAL MEDIA

 EKWaterBlocks

 @EKWaterBlocks

 ekwaterblocks

 EKWBofficial

 ekwaterblocks

