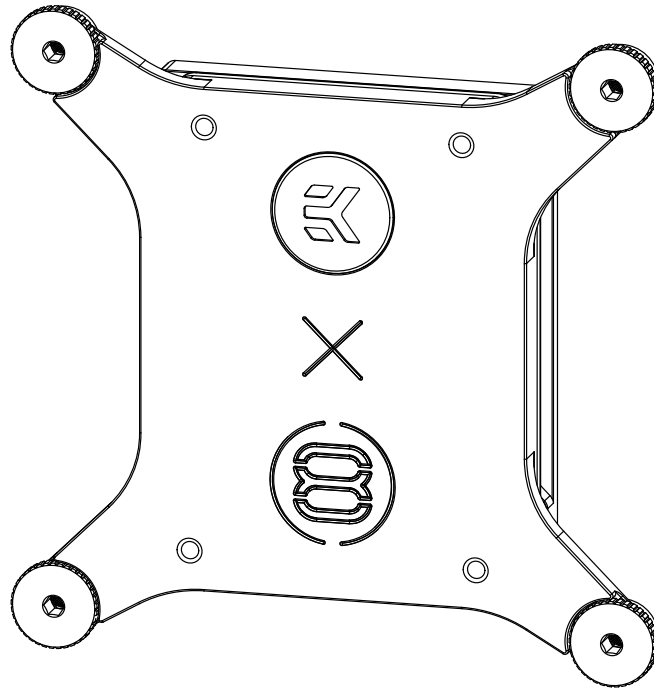


EK-Quantum Velocity² ILM Replacement – 1700



Please note the installation of the product is intended to be undertaken by an adequately trained and experienced person. You are installing the product at your own risk. If you are not properly trained or experienced or feel unsure about the installation procedure, please refrain from installing the product yourself and contact our tech support for assistance. We disclaim our liability for any damages to the product as well as incidental, consequential, or indirect damages incurred due to improper or inappropriate installation.

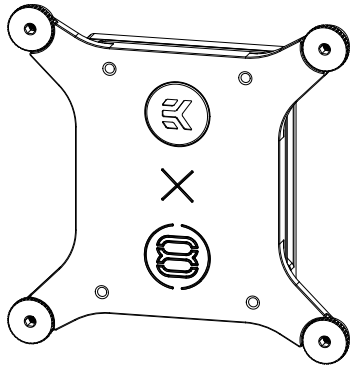
Before you start using this product, please follow these basic guidelines:

Please carefully read the manual before beginning the installation process.

TABLE OF CONTENTS

BOX CONTENTS	4
ILM REPLACEMENT DIMENSIONS	5
TECHNICAL SPECIFICATIONS AND ILM REPLACEMENT PARTS	6
REMOVING THE CPU BLOCK	7
PREPARING THE MOTHERBOARD	8
INSTALLING THE ILM DIE GUARD	10
SUPPORT AND SERVICE	11
SOCIAL MEDIA	11

BOX CONTENTS



EK-Quantum Velocity² ILM Replacement - 1700



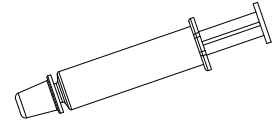
Allen Key 2 mm (1 pc)



Allen Key 2.5 mm (1 pc)

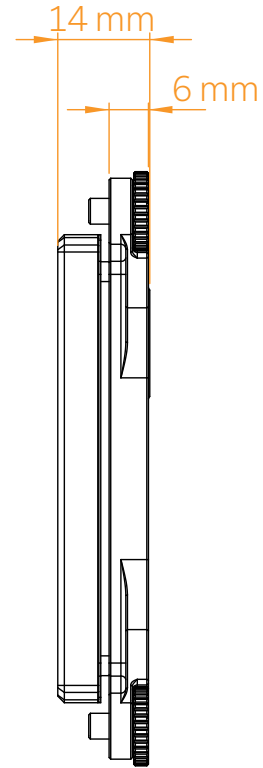
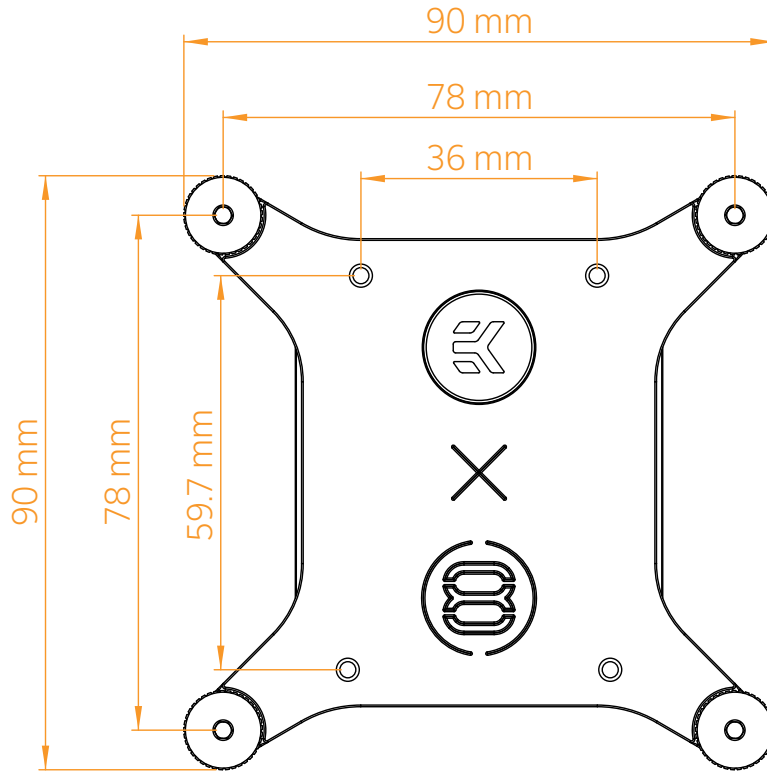


TX20 L-Shaped wrench (1 pc)



Thermal grease (1 pc)

ILM REPLACEMENT DIMENSIONS

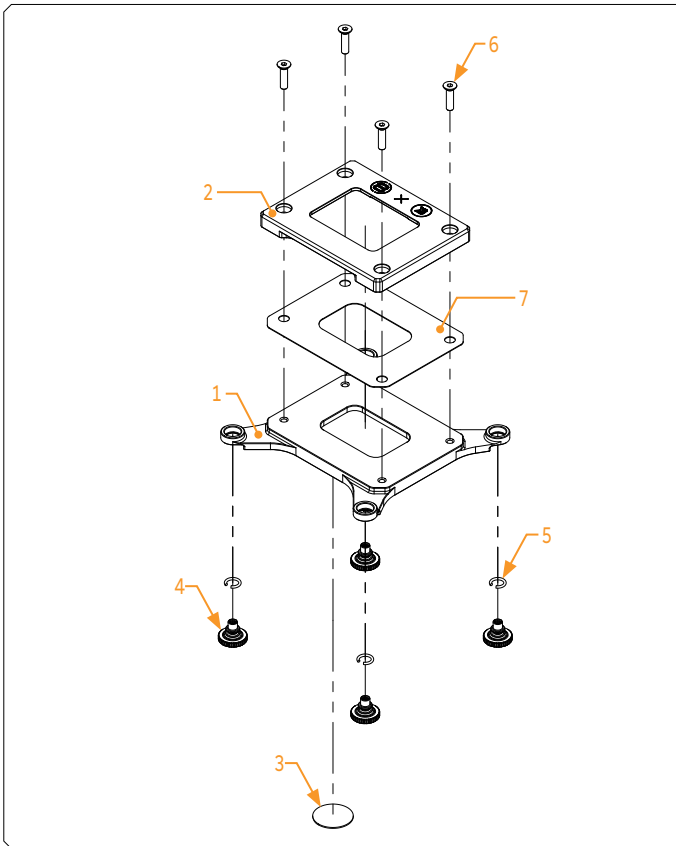


TECHNICAL SPECIFICATIONS AND ILM REPLACEMENT PARTS

Technical Specification:

- Dimensions (L x H x W): 90x90x14

Position	Description	Quantity
1	Velocity ² ILM Replacement Backplate	1
2	ILM Replacement Die Guard	1
3	EK RGB Badge	1
4	Velocity ² Mounting Nut	4
5	Velocity ² - Spring Steel	4
6	M3 x 12 DIN7991 Screw	4
7	Velocity ² Naked Backplate Protective Sticker	1



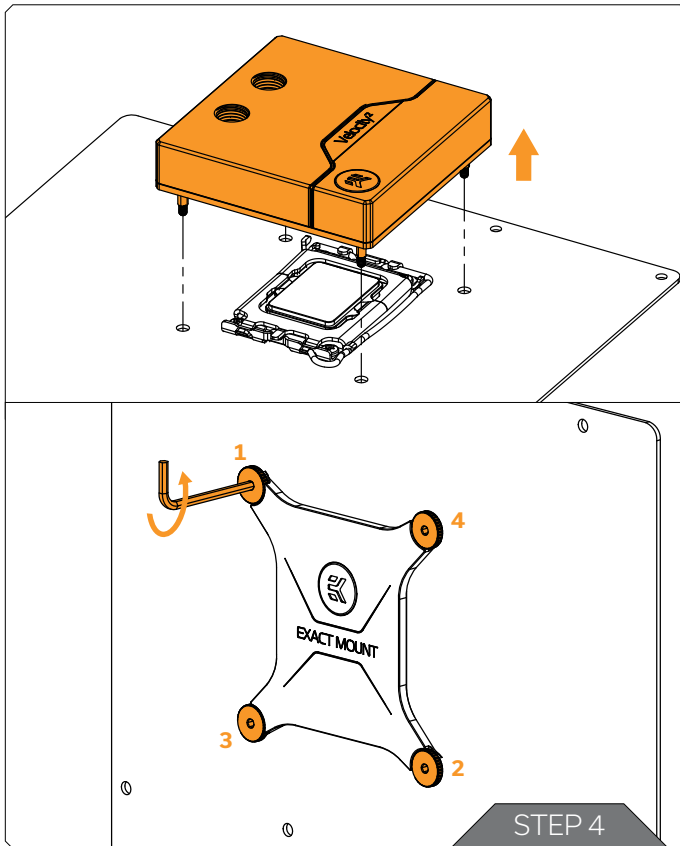
REMOVING THE CPU BLOCK

STEP 1

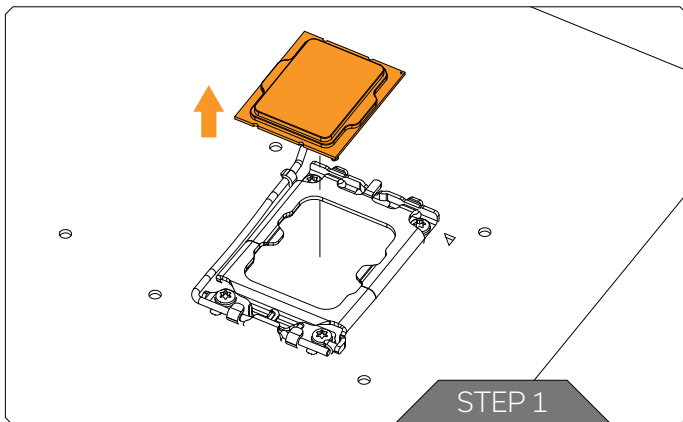
Remove the EK-Velocity² CPU block from the motherboard by unscrewing the backplate screws on the back of the motherboard.

For this step, you must use:

Allen Key 2.5 mm

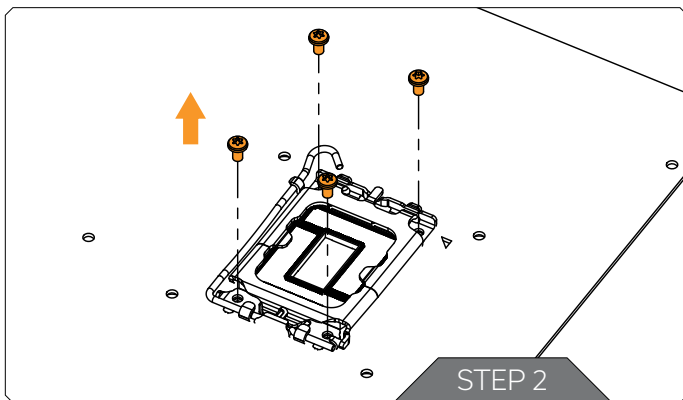


PREPARING THE MOTHERBOARD



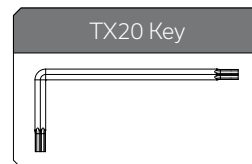
STEP 1

If the CPU is installed remove it from the socket.



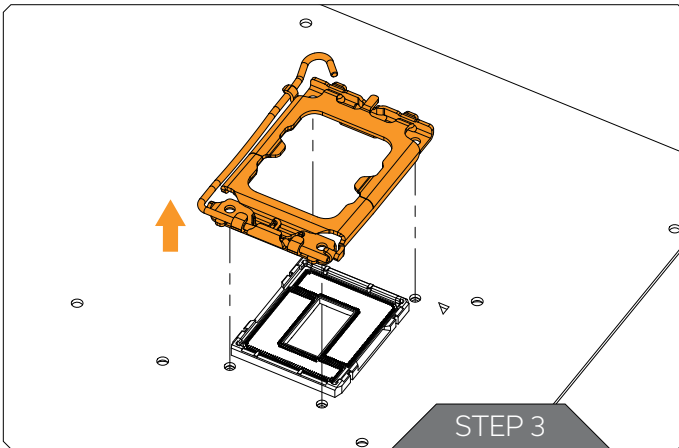
STEP 2

Remove the stock Torx screws from the motherboard. For this step, you must use TX20 Key (included in the mounting bag).



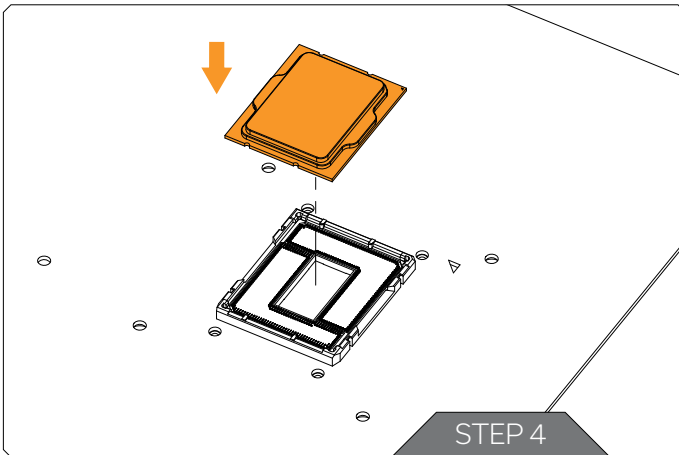
STEP 3

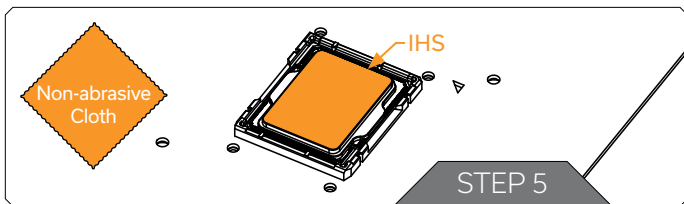
Remove the stock mounting bracket from the motherboard.



STEP 4

Install the CPU in the socket.

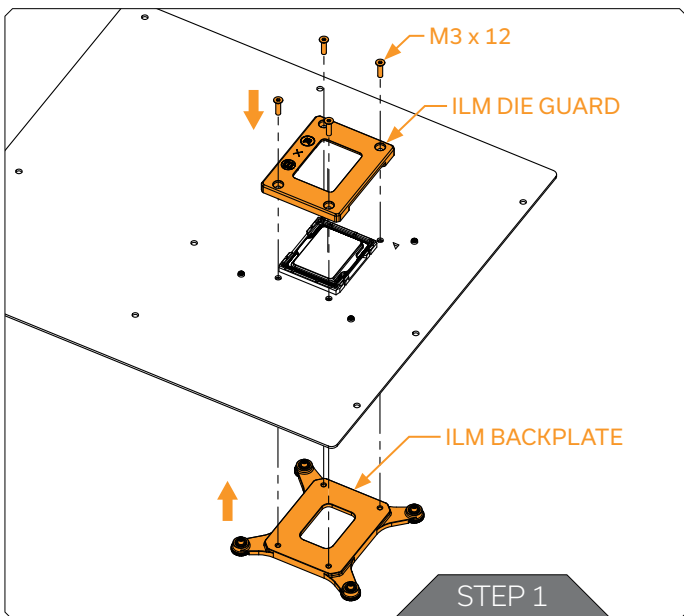




STEP 5

Wipe the IHS clean using a non-abrasive cloth or q-tip (as shown in the illustration).

INSTALLING THE ILM DIE GUARD



STEP 1

Place the DIE GUARD on the motherboard. Make sure to align the holes. On the back of the motherboard place the BACKPLATE. Secure the backplate with four (4) M3X12 DIN7991 Screws (as shown in the diagram).

STEP 2

Now you can install the Velocity² CPU block.

Just follow the installation manual:

<https://www.ekwb.com/shop/EK-IM/EK-IM-3831109857663.pdf>


SUPPORT AND SERVICE

In case you need assistance, please contact:
<https://www.ekwb.com/customer-support/>


SOCIAL MEDIA

 EKWaterBlocks

 @EKWaterBlocks

 ekwaterblocks

 EKWBofficial

 ekwaterblocks

