

This product is intended for installation only by expert users. Please consult with a qualified technician for installation. Improper installation may result in damage to your equipment. EK Water Blocks assumes no liability whatsoever, expressed or implied, for the use of these products, nor their installation. The following instructions are subject to change without notice. Please visit our web site at www.ekwb.com for updates. Before installation of this product please read important notice, disclosure and warranty conditions printed on the back of the box.

Before you start using this product please follow these basic guidelines:

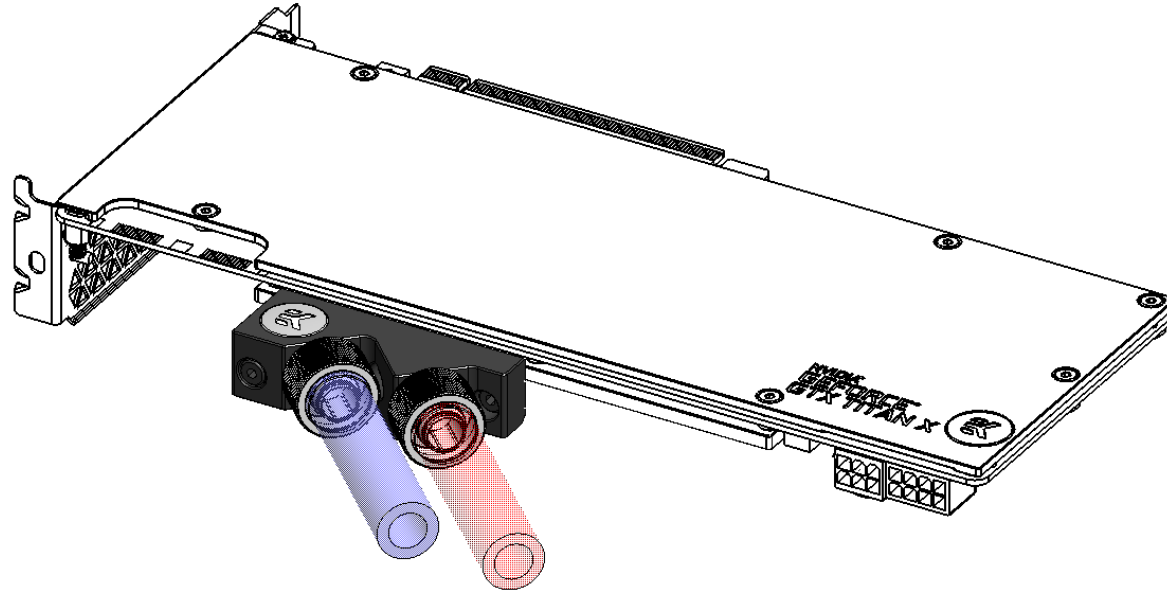
1. **Please carefully read the manual before through before beginning with the installation process!**
2. **Please remove your graphics card from the computer to assure safest mounting process in order to prevent any possible damages to your CPU and/or motherboard's circuit board (PCB).**
3. **The EK High Flow and EK-ACF and EK HFB type fittings require only a small amount of force to screw them firmly in place since the liquid seal is ensured by the rubber O-ring gaskets. The use of corrosion inhibiting coolants is always recommended for any liquid cooling system.**

VERY IMPORTANT NOTICE!!! READ THIS!!!

Do not over-tighten the screws during assembly process! Over-tightening of the screw may damage the thread in the water block's Top, stripping the M4 thread or cracking the top, rendering the blocks top useless.

STEP 1: GENERAL INFORMATION.

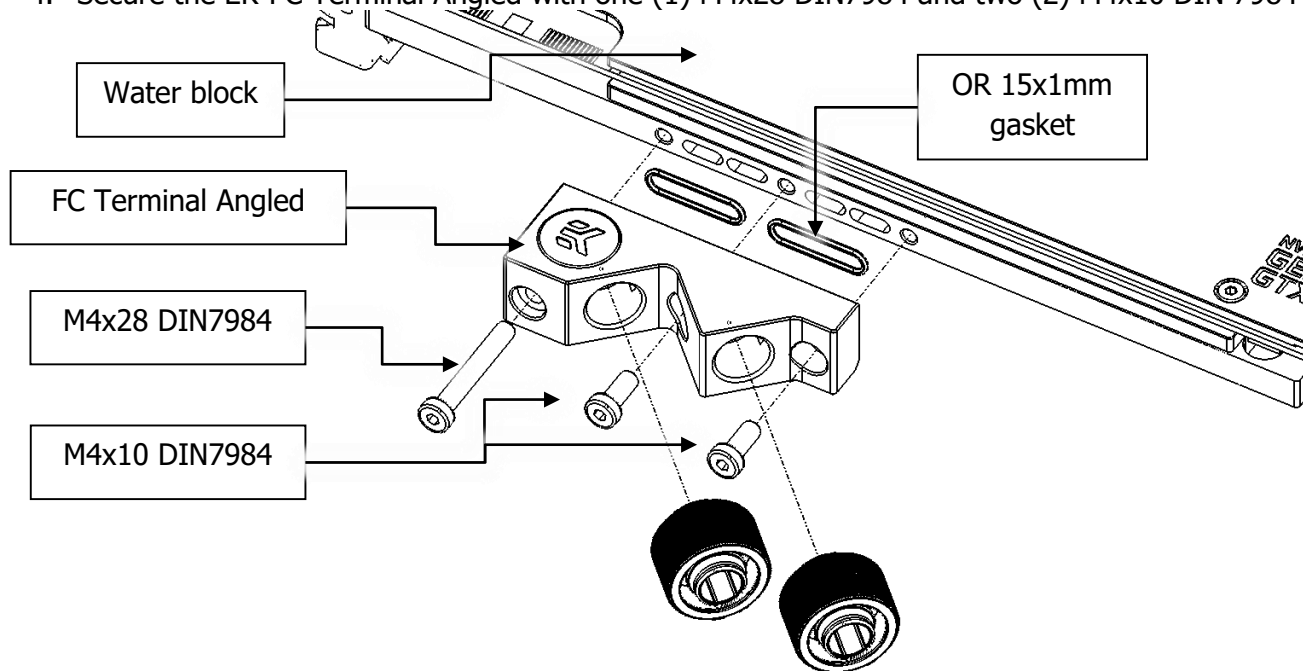
Sample picture showing EK-FC Terminal Angled



STEP 2: ATTACHING THE EK-FC TERMINAL INTERCONNECT

Please take the following steps for installing any EK-FC Terminal interconnect to your graphics cards water blocks:

1. Remove the preinstalled FC Single Terminal from the water block using 2,5mm Allen key by unfastening three M4 Screws (save these screws for later they will be used for mounting EK-FC Terminal Angled.)
2. Save the O-ring gaskets as well.
3. Install OR 15x1 mm O-ring gaskets in grooved slots on the EK-FC Terminal Angled. Make sure the gaskets are installed correctly! Each water block requires two (2) gaskets!
4. Secure the EK-FC Terminal Angled with one (1) M4x28 DIN7984 and two (2) M4x10 DIN 7984 screws using the enclosed Allen (hex) key 2.5mm!



!!! ATTENTION !!!

!!! DO NOT OVERTIGHTEN THE SCREWS !!!

DOING SO WILL RENDER YOUR WATER BLOCK USELESS!

Once you feel the screw grab, use no more than 1/4 of the turn.

All EK fittings are compatible with EK-FC Terminal Angled.

If using some 3rd party fittings the outer diameter must not exceed **23,5mm**.

STEP 3: OTHER INSTRUCTIONS

VERY IMPORTANT NOTICE: Once the installation is completed, it is a recommended practice to test the cooling circuit for leaks prior to powering up the computer. We recommend a 24 hour leak test prior to powering up the computer. Do not test the water block using tap water pressure. This will rupture the top of the housing and render the block unusable (and will void your warranty). While all efforts have been made to provide the most comprehensive tutorial possible, EK Water Blocks assumes no liability expressed or implied for any consequential damage(s) occurring to your equipment as a result of using EK Water Blocks cooling products, either due to errors or omissions on our part in the above instructions, or due to failure or defect in the EK Water Blocks cooling products.

WARRANTY: Our products are warranted against defects in materials or workmanship for a period of 24 months beginning from the date of delivery to the final user. During this period, products will be repaired or have parts replaced at our discretion provided that:

- (I) the product is returned to the agent from whom it was purchased;
- (II) the product has been purchased by an end user and has not used for commercial purposes;
- (III) the product has not been misused, handled carelessly, or used in a manner other than in accordance with the instructions provided describing its installation and proper use.

This warranty does not confer rights other than those expressly set out above and does not cover any claims for consequential loss or damage.

This warranty is offered as an extra benefit and does not affect your statutory rights as a consumer.

This warranty is voided if the product comes in contact with aggressive additives or other improper liquids.

REQUIRED TOOLS:

Allen (hex) key 2.5mm (enclosed).